

LCD TFT interface kits Digital Door Signs

Enhanced TFT LCD kits

The market for Digital Signage and especially digital door signs has seen significant growth in recent years. Individual information displayed directly on an LCD next to an office or conference room in official buildings etc. with all the information/content controlled centrally.

But how best to optimize these displays for digital door signs in terms of costs, technology and operation? Our easy to use solutions require no local PC so reduce hardware, software and installation costs whilst making the operation of sending content directly to the display very simple indeed.

Display Solution AG is a leading supplier of TFT LCD display solutions for industrial and commercial customers so we understand the market needs and have created a new range of next generation flat panel kits meeting the requirements of this unique but growing market.

Key Benefits

cost effective
slim
easy to handle

Features

next generation digital door sign LCD TFT

Existing Door Sign Solutions

- PC based
- Operating System
- High power consumption
- Thick design - 4-7 cm
- High price

NEW: Display Solution AG kits

- no PC necessary
- no Operating System needed
- Low power consumption
- Slim design - 25- 35 mm
- Low cost
- Up to 6 door signs on one PC (soon up to 14 monitors on 1 PC)
- PoE (Power over Ethernet) support
- WLAN support
- 3 USB downstream ports

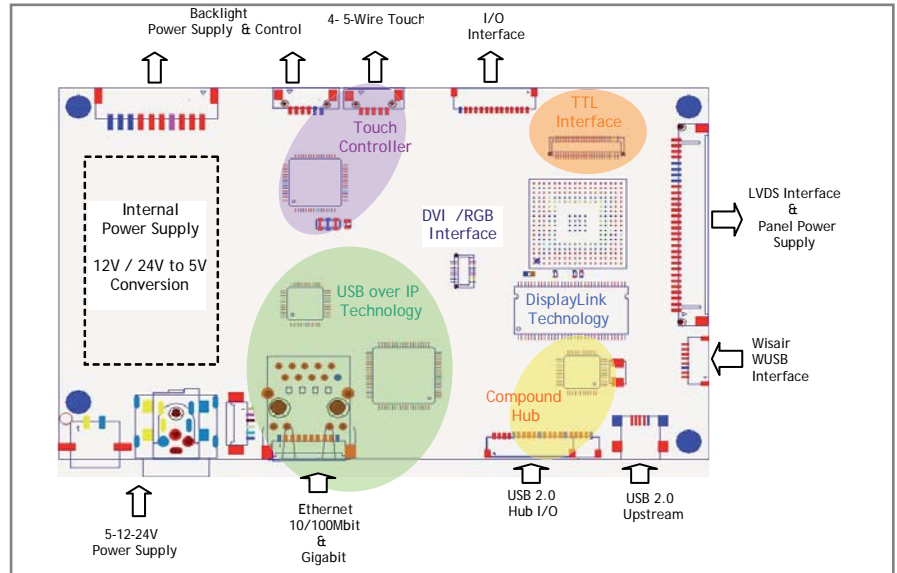
Standard TFT LCD Kits for Digital Door Applications

Diagonal	10.1"	10.1"	10.1"	14"	15"	18.5"
Resolution	WSVGA 1024x600	WSVGA 1024x600	WSVGA 1024x600	HD1200x768	XGA 1024x768	HD 1366x768
Luminance	200 cd/m ²	350 cd/m ²	230 cd/m ²	200 cd/m ²	400 cd/m ²	250 cd/m ²
Viewing Angle H / V	90°/50°	176°/176°	90°/50°	90°/50°	160°/140°	160°/160°
Contrast Ratio	300:1	1500:1		500:1	700:1	1000:1
Power Consumption	ca. 4 Watt	ca. 5 Watt	ca. 3.5 Watt	ca. 6 Watt	ca. 13 Watt	ca. 14 Watt
Special Features			Outdoor suitable			
Part No	KIT-DS-10-001	KIT-DS-10-002	KIT-DS-10-003	KIT-DS-14-001	KIT-DS-15-001	KIT-DS-18-001

TFT LCD interface kits for **Digital Door Signs**

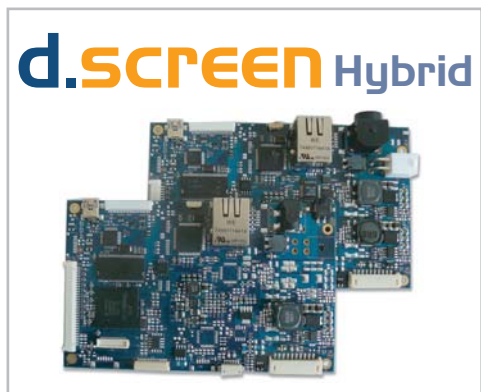


Demo Kit with USB Audio and USB Mouse



Enabled by and based on **Display Solutions Technology**

USB / Ethernet Controller Board with optional Wireless USB-Interface



d.screen-Hybrid is a cost-effective innovative board solution for high performance USB 2.0 and/or Ethernet connected displays based on DisplayLink's latest DL1x5 device family and EliteSilicon's USB over IP technology.

It is designed to act as a direct interface between either USB 2.0 or Ethernet network and LCD TFT displays from VGA up to Full-HD / WUXGA / QWXGA. A highly efficient power management and the supported WUSB technology from Wisair makes the d.screen-USB Hybrid the perfect solution for portable multifunctional monitors.

Features

- USB-Interface
- Ethernet-Interface 10/100 Mbit & Gigabit
- 12/24V or 5V-only power supply supports also large displays from a single 24V power supply
- On-board USB 2.0 Highspeed Hub
- On-board 4-/5-Wire touch-controller optional
- PoE adapter board optional
- WLAN embedded - receiver board optional

DisplayLink™ Technology - DL125/165/195

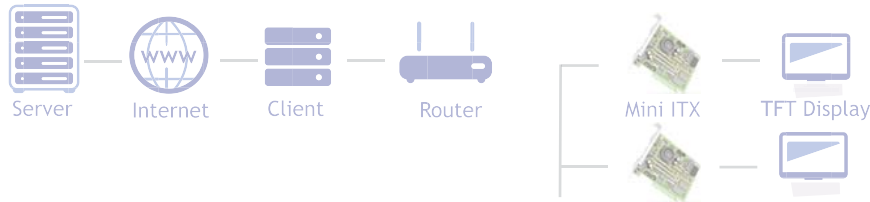
- ✓ Connect a PC with USB 2.0 port directly to any LCD TFT panel
- ✓ Lossless compression protocol
- ✓ Supports Windows 2000, XP, Vista, Win-7
- ✓ Supports Apple OS X-Tiger 10.4.11, Leopard 10.5.6
- ✓ Supports screen rotations and Mirror mode or extended desktop
- ✓ Supports resolutions up to Full-HD /WUXGA /QWXGA
- ✓ Up to 6 Displays are supported

Elite Silicon Technology

- ✓ SoC USB-Server solution
- ✓ Supports 10/100Mbase-Tx and Gigabit Ethernet
- ✓ Supports Interrupt-, Control-, Bulk- and isochronous USB transfers
- ✓ Supports DHCP, configures IP Address automatically
- ✓ USB 2.0 host controller, USB1.1/USB2.0 (Hi-speed) compliant
- ✓ Driver fully Microsoft WHQL signed
- ✓ WIN XP, WIN7, Mac

Comparison operating modes of Digital Door Signs

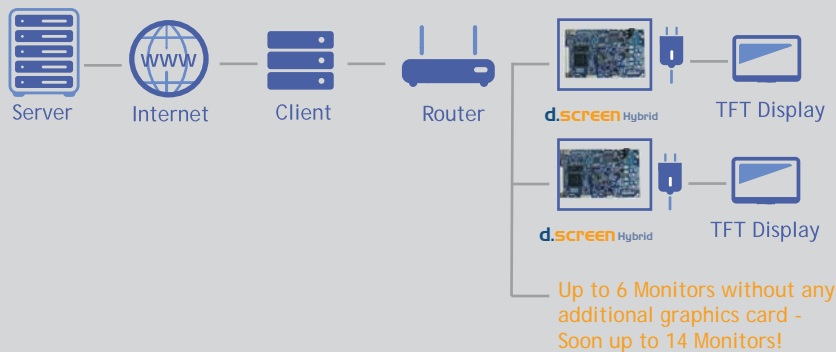
Existing Door Sign Solutions



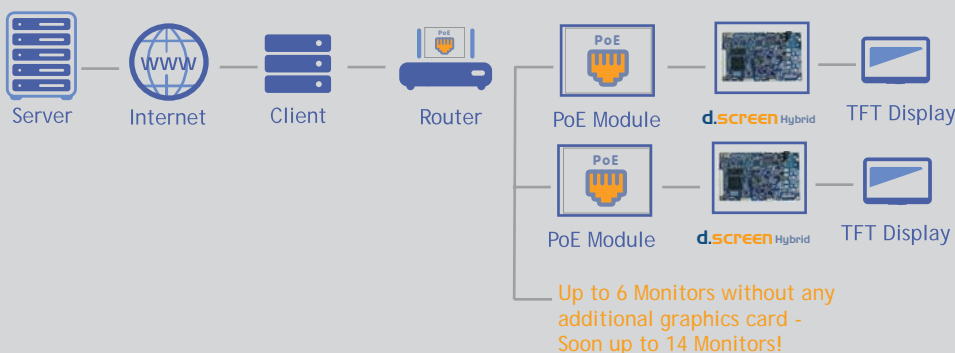
- PC based
- Operating System
- High power consumption
- Thick design - 4-7 cm
- High price

New Display Solution AG Door Sign Solution

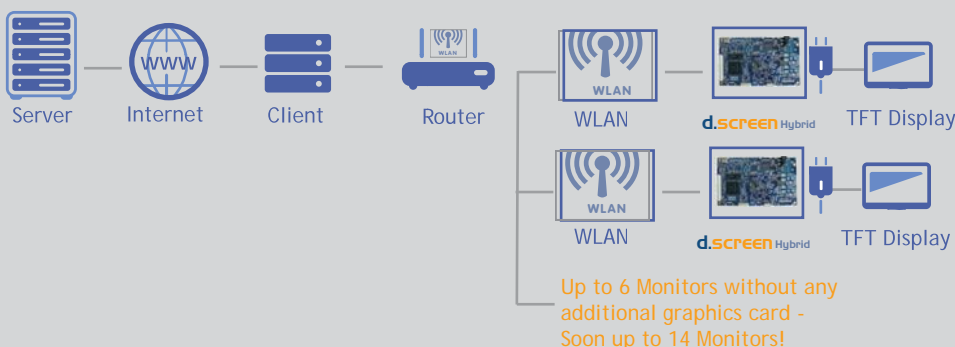
Standard



PoE (Power over Ethernet)



WLAN



- PC-Less Design
 - No operating System required
 - Low-Power
- Software Integration - 2 possibilities
 - Working as extended Desktop from Windows OS**
 - Allows simple integration with standard software like Powerpoint and almost any content management tool. It supports not only static content but also videos and animation. Up to 6 door signs on one PC without any additional graphics card. Soon up to incredible 14 monitors on just 1 PC - enabled by DisplayLink's Multi USB Monitor technology

Working as independent Display Unit
Allows connection of more than 100 display units to one PC. An SDK allows the developer to integrate the door sign application in their own software. It is the most cost-effective solution for static display content.

- Further USB-ports endorses the integration of up to three additional USB-devices e.g. touch-controller, printer, scanner, etc.
- Up to 6 door signs on one PC (soon up to 14 monitors on 1 PC)
- PoE (Power over Ethernet) option supports all display sizes and allows operation over a single Ethernet-cable. Avoiding additional power wiring cuts down installation costs
- Enables slim design 25-35mm
- WLAN support
- Low cost