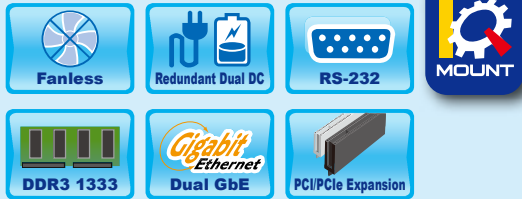


TANK-800-D525 TANK-820-H61

- D525 3-Slot Fanless Embedded System
- Sandy bridge 3-Slot Fanless Embedded System

Features

- ◆ Intel® Atom™ D525 1.8GHz dual-core processor for TANK-800
2nd Generation Intel® Core™ low power desktop processors for TANK-820
- ◆ On-board 1GB DDR3 memory and one DDR3 SO-DIMM slot (system max. 4GB) for TANK-800
On-board 2GB DDR3 memory and one DDR3 SO-DIMM slot (system max. 8GB) for TANK-820
- ◆ Redundant dual 9V ~ 36V DC input (for TANK-800)
- ◆ Flexible PCI/PCIe expansion slots satisfy customized requirements
- ◆ Rich I/O functions satisfy various applications
- ◆ Extended temperature fanless design
- ◆ Dual PCIe GbE LAN for high speed network applications
- ◆ One CompactFlash® socket

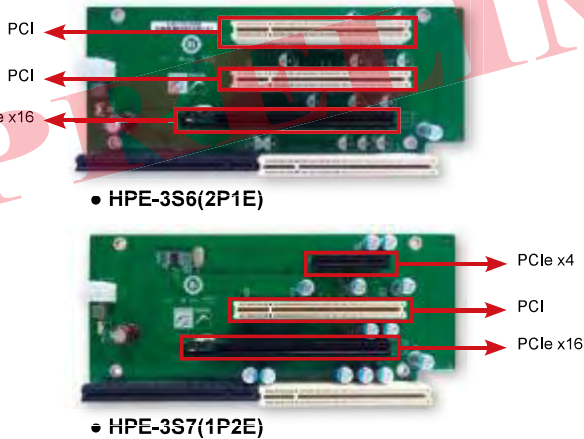


Launch in Q3



Versatile Expansion Interface

The TANK-800/820 series has various kinds of expansion interfaces which allow you to connect additional circuits or expansion boards to the system via IEI riser cards. These expansion options provide flexible function enhancement and simplify system integration.



- The two types of backplane support standard PCI/PCIe cards with maximum dimensions (WxHxD): 195mm x 170mm x 20mm
- The rated voltage and current of the backplane

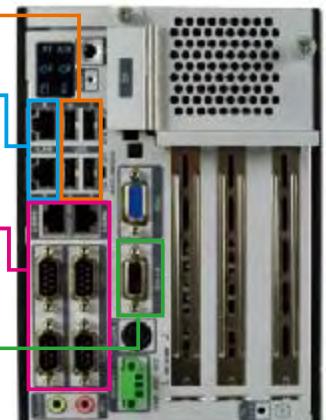
Voltage	Current
+5V	7A
+12V	3.75A
-12V	0.1A
+3.3V	8A
Max. power supported by the backplane: <45W	

The system default power is 90 W. The maximum total power of the backplane to support expansion cards is 45 W. The power of the selected expansion cards can not exceed the max. power (45 W), otherwise, the system may be unstable.

Backplane	Slot	TANK-800	TANK-820
		Signal	Signal
HPE-3S6(2P1E)	PCI	PCI	PCI
	PCIe x16	PCIe x4	PCIe x8
HPE-3S7(1P2E)	PCI	PCI	PCI
	PCIe x4	PCIe x1	PCIe x1
	PCIe x16	PCIe x2	PCIe x8

Rich I/O Function

- **Four USB Ports**
Four USB ports can completely satisfy other USB devices or access requirements.
- **Dual GbE Ethernet Ports**
Dual GbE Ethernet ports offer a diverse range of network communication options, helping users easily create an integrated industrial application that requires Ethernet protocols.
- **Serial Ports**
Serial ports help millions of serial devices connect to the network for industrial applications. Our RS-232/422/485 serial ports provide powerful communication performance for all industrial device connectivity.
- **8-bit Digital I/O, 4-bit input/4-bit output**
The DIO channels are quite useful for remote controlling, such as device power on/off, LEDs on/off, counter and cash drawer control.

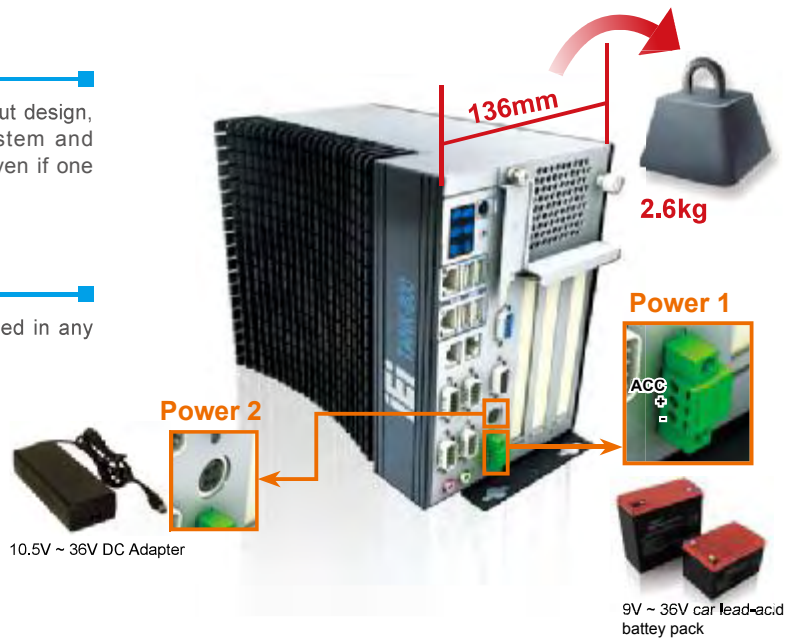


Redundant Dual DC Power Input

The TANK-800-D525 adopts redundant dual DC power input design, which ensures uninterrupted power supply to the system and eliminates the risk of sudden shutdown and data loss, even if one power is unavailable or low voltage capacity is present.

Compact

Compact solution can sustain strong vibrations and be used in any industrial environments.

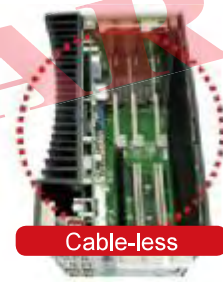


Anti-Vibration and Anti-Shock Design

With the rugged design, the TANK-800/820 series is reliable in industrial environments to resist strong vibrations and can be used as a core computer requiring to be installed on moving objects.

Cable-less

The cable-less concept offers a strong hardware design and promises a reliable combination of embedded components. This design helps ensuring stable system operation and robust hardware design. With all the components firmly attached, the TANK-800/820 series is ideal to be installed on moving objects.



Wide Range DC Power Input

The TANK-800/820 series accepts wide range DC power input, allowing it to be powered anywhere, no matter if a 12V, 24V power or a 19V power adapter is available.

Ingenious Fan Space Design

The TANK-800/820 series reserves an easy-to-install, hot-pluggable fan module space, ensuring the PCI/PCIe expansion cards with high power consumption to operate under high temperature environment.



Fanless

The TANK-800/820 series provides the best components that generate less heat, but maintain high system performance. With the fanless design, the TANK-800-D525 reduces system failure caused by fans and extends the lifetime of the device.



Fanless

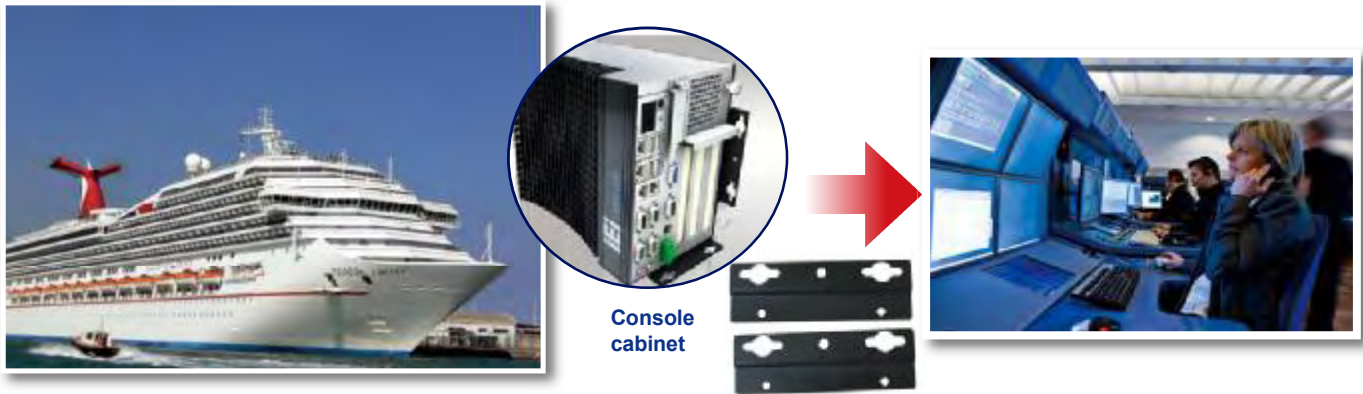
Wide Range Temperature

The TANK-800/820 series is designed to withstand wide range of temperatures. With this design, the TANK-800/820 series can even be installed in a high-temperature roadside cabinet.



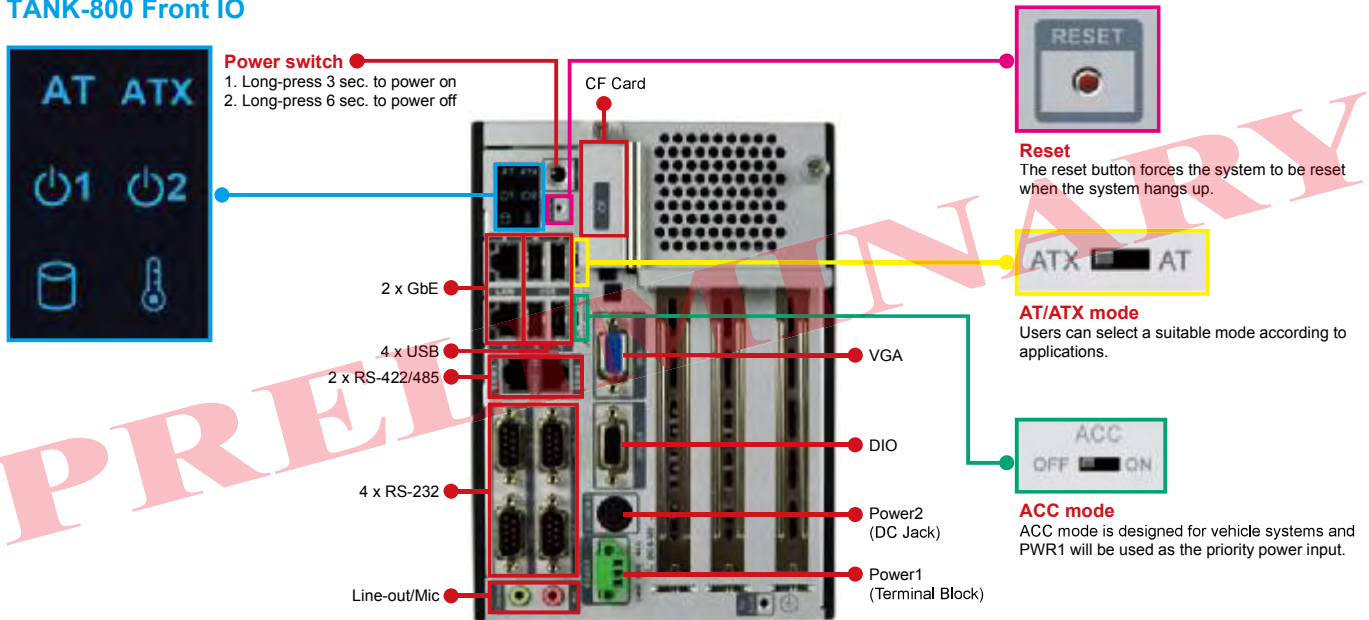
Mounting Method

Mount the embedded system onto a wall or other surfaces using the two mounting brackets.

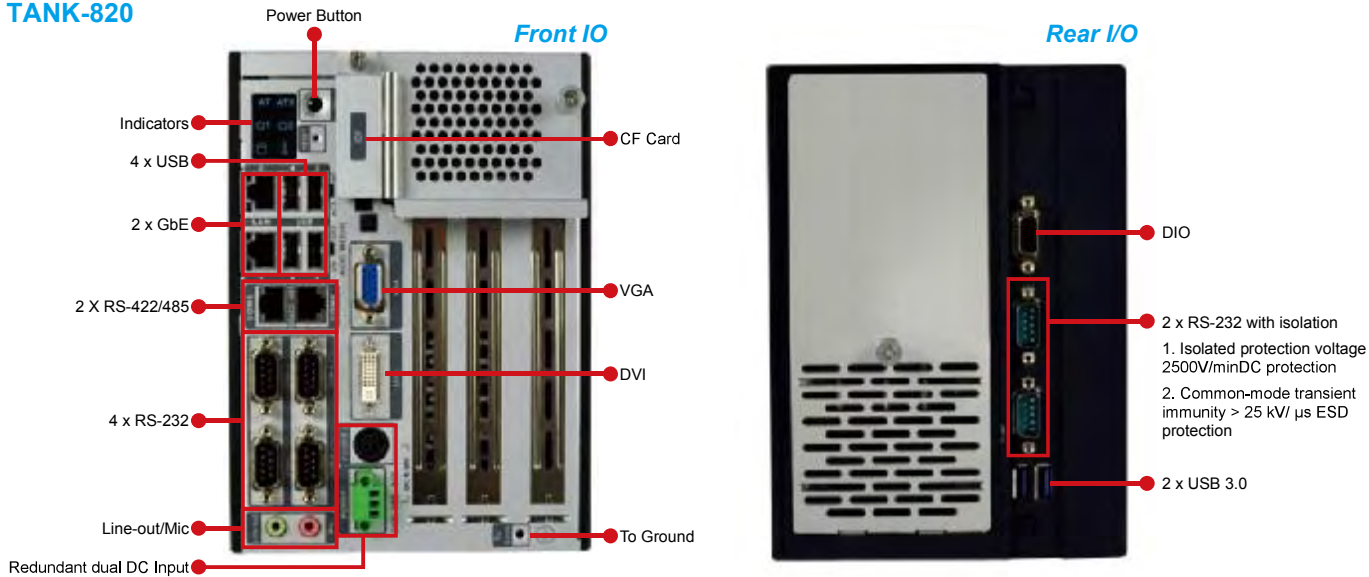


Fully Integrated I/O

TANK-800 Front IO



TANK-820



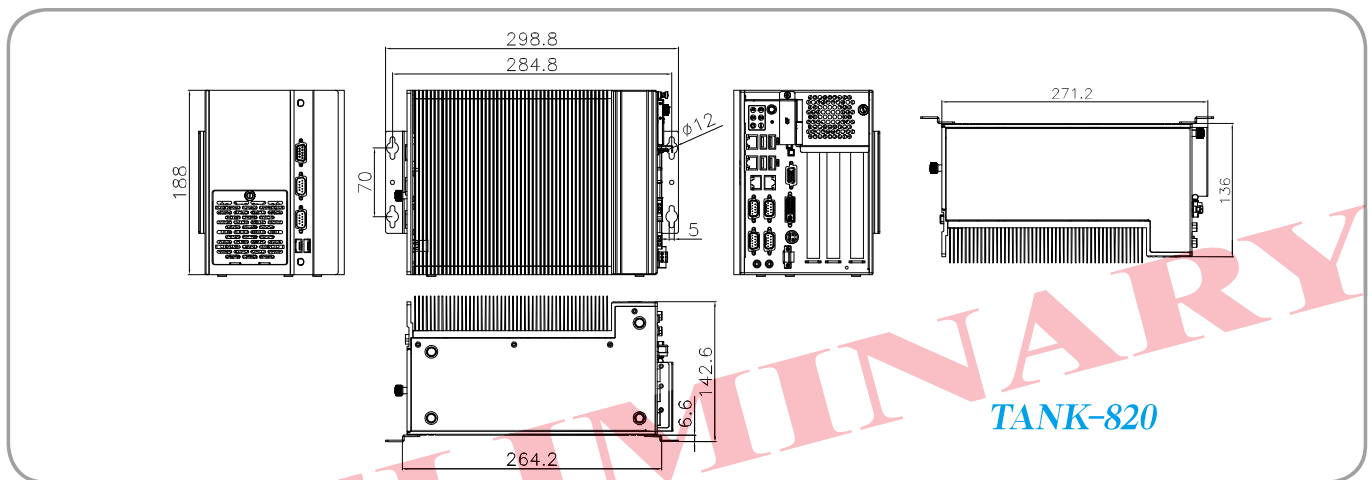
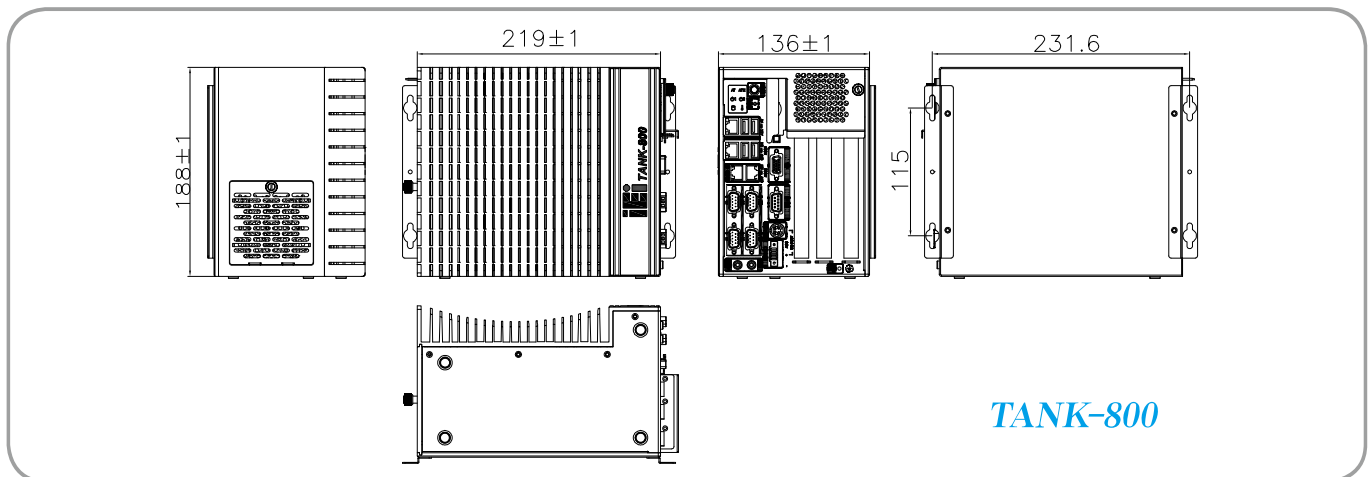
Specifications

Model Name		TANK-800-D525	TANK-820-H61
Chassis	Color	Black C + Silver	Black C + Silver
	Dimensions (WxDxH)	136 x 219 x 188 mm	136 x 271 x 188 mm
	Chassis Construction	Extruded Aluminum Alloy	Extruded Aluminum Alloy
Motherboard	CPU	Intel® Atom™ D525 1.8GHz dual-core processor	2nd Generation Intel® Core™ low power desktop processor
	Chipset	Intel® ICH8M	Intel® H61
	Ethernet	Dual realtek RTL8111E PCIe GbE controllers support ASF2.0	Dual realtek RTL8111E PCIe GbE controllers support ASF2.0
	Memory	1 x 204-pin 800MHz DDR3 SDRAM SO-DIMM slot (Max. to 2G) On-board 1GB DDR3 memory	1 x 204-pin DDR3 SDRAM SO-DIMM slot (Max. to 4G) On-board 2GB DDR3 memory
Storage	SATA	2.5" SATA HDD bay	2.5" SATA HDD bay
System Function	USB	4 x USB 2.0	4 x USB 2.0 on front side 2 x USB 3.0 on rear side
	Ethernet	2 x RJ-45	2 x RJ-45
	RS-232	4 x DB-9	4 x DB-9 2 x DB-9 (with isolation)
	RS-422/485	2 x RJ-45	2 x RJ-45
	Display	1 x VGA	1 x VGA 1 X DVI-I
	Resolution	Up to 2048 x 1536	2048 x 1536 @ 75Hz (VGA), 1920 x 1080 @ 60Hz (DVI)
	Audio	1 x Mic-in, 1 x Line-Out	1 x Mic-in, 1 x Line-Out
	DIO	1 x DB-9	1 x DB-9 on rear side
	CF Slot	1 x CF Type II	1 x CF Type II
	Interior Expansions	Either one PCIe x4 (via PCIe x16 slot) and two PCI OR one PCIe x1 (via PCIe x4 slot) and one PCIe x2 (via PCIe x16 slot) and one PCI	
Power	Power Supply	Redundant dual DC input Terminal Block: 9 (+/-0.3) ~ 36V DC Jack: 10.5 (+/-0.3) ~ 36V	Terminal Block: 9 ~ 24V DC Jack: 9 ~ 24V
	Power Consumption	33W without add-on card	19W@3.5A (Intel® Core™ i3-2100 processor with 6GB DDR3 Memory) without add-on card
Reliability	Mounting	Desktop, Wall mount	Desktop, Wall mount
	Operating Temperature	-20°C ~ 70°C	-20°C ~ 60°C
	Storage Temperature	-30°C ~ 80°C	-30°C ~ 80°C
	Operating Shock	Half-sine wave shock 5G, 11ms, 3 axis	Half-sine wave shock 5G, 11ms, 3 axis
	Operating Vibration	Meet MIL-STD-810F 514.5C-2 (with SSD)	Meet MIL-STD-810F 514.5C-2 (with SSD)
	Weight (Net/Gross)	2.6Kg / 4.1Kg	4.2 Kg / 6.3 Kg
	Safety & EMC	CE / FCC	CE / FCC

Ordering Information

Part No.	Description	
TANK-800-D525/1GB/2P1E-R10	Extended temperature fanless embedded system with one PCIe x4 and two PCI expansion, Intel® Atom™ D525 1.8GHz dual core processor, dual 9V-36V DC-IN, on-board 1GB DDR3 memory, -20°C ~ 70°C, RoHS	
TANK-800-D525/1GB/1P2E-R10	Extended temperature fanless embedded system with one PCIe x1, one PCIe x2 and one PCI expansions, Intel® Atom™ D525 1.8GHz dual core processor, dual 9V-36V DC-IN, on-board 1GB DDR3 memory, -20°C ~ 70°C, RoHS	
TANK-820-H61/2G/2P1E-R10	Extend temperature fanless embedded system with One PCIe x1 and one PCIe x8 and one PCI expansion, 2nd Generation Intel® Core™ low power processor, Dual 9-24V DC-IN, 2GB DDR3 Memory on-board, -20°C ~ 60°C, R10	
TANK-820-H61/2G/1P2E-R10	Extend temperature fanless embedded system with One PCIe x1 and one PCIe x8 and one PCI expansion, 2nd Generation Intel® Core™ low power processor, Dual 9-24V DC-IN, 2GB DDR3 Memory on-board, -20°C ~ 60°C, R10	
CPU Selection	CPU-DT-I7-2600S	2nd Generation Intel® Core™ i7 Processor [Desktop], LGA1155, dual core 3.4GHz, 65W, Intel® AMT
	CPU-DT-I5-2390T	2nd Generation Intel® Core™ i5 Processor [Desktop], LGA1155, dual core 2.7GHz, 35W, Intel® AMT
	CPU-DT-I3-2100T	2nd Generation Intel® Core™ i3 Processor [Desktop], LGA1155, dual core 2.5GHz, 35W
	CPU-DT-P-G630T	Intel® Pentium® Desktop Processor, LGA1155, dual core 2.3GHz, 35W
	CPU-DT-C-G530T	Intel® Celeron® Desktop Processor, LGA1155, dual core 2.0GHz, 35W
Memory Selection	DDR3-SO-1333-2GB	SO-DIMM DDR3 1333 MHz 2GB
	DDR3-SO-1333-4GB	SO-DIMM DDR3 1333 MHz 4GB

Dimensions (Unit: mm)



Options

Item	P/N	Description
System Fan	31100-000272-RS	
OS: Win CE 6.0 (128MB CF Card)	TANKCF-800-D525-CE060-128M-R10	OS Image with WINCE 6.0, for TANK-800 D525 Series, 128MB CompactFlash® card, RoHS
	TANKCF-820-H61-CE060-128M-R10	OS Image with WINCE 6.0, for TANK-820 H61 Series, 128MB CompactFlash® card, RoHS
OS: Win XPE (2GB CF Card)	TANKCF-800-D525-XPE-2G-R10	OS Image with XPE, for TANK-800 D525 Series, 2GB CompactFlash® card, RoHS
	TANKCF-820-H61-XPE-2G-R10	OS Image with XPE, for TANK-820 H61 Series, 2GB CompactFlash® card, RoHS
OS: Win XPE (4GB CF Card)	TANKCF-800-D525-XPE-4G-R10	OS Image with XPE, for TANK-800 D525 Series, 4GB CompactFlash® card, RoHS
	TANKCF-820-H61-XPE-4G-R10	OS Image with XPE, for TANK-820 H61 Series, 4GB CompactFlash® card, RoHS
OS: Linux (2GB CF Card)	TANKCF-800-D525-LNX-2G-R10	OS Image with Linux for TANK-800 D525, Debian operating system, Kernel version 2.6.26, 2GB CompactFlash® card, RoHS
	TANKCF-820-H61-LNX-2G-R10	OS Image with Linux for TANK-820 H61, Debian operating system, Kernel version 2.6.26, 2GB CompactFlash® card, RoHS
OS: Win 7 Embedded (4GB CF Card)	TANKCF-800-D525-WES7E-4G-R10	OS Image with Windows Embedded Standard 7 E, for TANK-800 D525 Series, 4GB CompactFlash® card, RoHS
	TANKCF-820-H61-WES7E-4G-R10	OS Image with Windows Embedded Standard 7 E, for TANK-820 H61 Series, 4GB CompactFlash® card, RoHS

Packing List

Item	P/N	Q'ty	Description
Utility CD		1	drivers and user manual
One Key Recovery CD	7B000-000724-RS	1	
Power Adapter	63040-010090-020-RSS	1	FSP090-D2BA1;90 ~ 264VAC input;90W;19VDC output (for TANK-800)
	63000-FSP120AAB-RS	1	FSP120-AAB;90 ~ 264V input;120W;19VDC output (for TANK-820)
Power Cord	32702-000401-100-RS	1	1500 mm, European Standard
Power Transfer Cord	32702-000300-100-RS	1	
Mounting Bracket	41020-0308C2-00-RS	2	
Mounting Bracket Screws	44033-040062-RS	1	M4*6 mounting bracket screws
HDD Screw	44043-030051-RS	4	M030*05 for securing HDD
Rubber Foot Pad Screws	44005-030061-RS	8	M4*6 for securing rubber foot pads
RJ-45 to DB-9 COM Port Cable	32005-000200-200-RS	2	
Pluggable DC-in Terminal Block	33502-000007-RS	1	3-pin
Foot Pads	46007-001500-RS	4	