

HIGH SPEED CONNECTOR FOR AUTOMOTIVE ETHERNET (1000BASE T1)



High speed connector

The 1000BASE-T1 standard allows high speed and bi-directional data traffic over light weight, single pair cable harnesses. LEMO's connector offer high bandwidth solution for automotive ethernet. These miniature connector allow test and certification bodies to carry out automotive

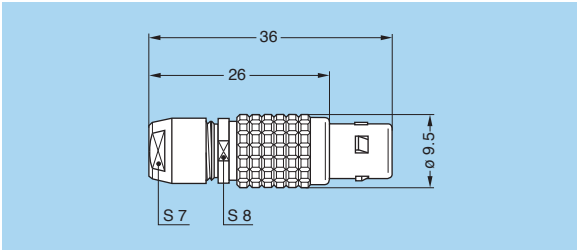
tests with LEMO's reliable Push-Pull system. These connectors allow to connect and disconnect repeatedly sensors and actuators such as radars, front camera, LTE and onboard passenger animation to the vehicle's main control systems.

Features:

- Compatible with unshielded twisted pair (UTP) and shielded twisted pair (STP)
- 1000BASE-T1 (IEEE 802.3bp)
- 1000 MBit/s full duplex
- Open Alliance standard

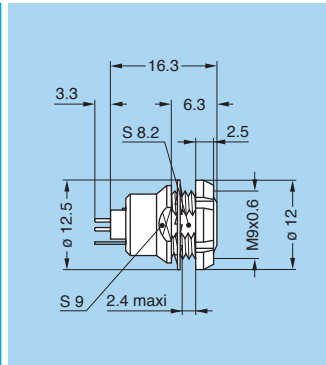


B series models



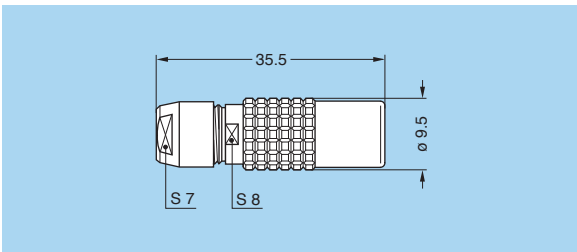
FGG.0B.511 Straight plug, key (G) or keys (A...F), cable collet

Part Number Example:
FGG.0B.511.CLAD32



EAG.0B.511 Fixed socket, nut fixing, key (G) or keys (A...F) and straight contact for printed circuit (back panel mounting)

Part Number Example:
EAG.0B.511.CLN



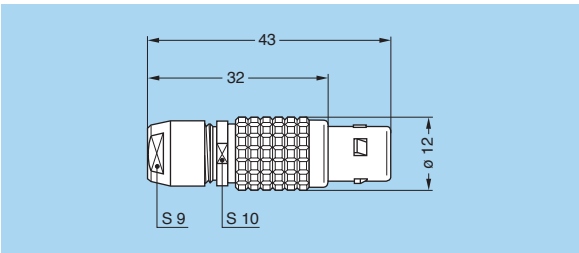
PHG.0B.511 Free socket, key (G) or keys (A...F), cable collet

Part Number Example:
PHG.0B.511.CLLD32



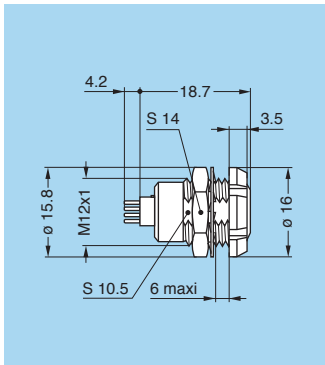
FGG.1B.512 Straight plug, key (G) or keys (A...F), cable collet

Part Number Example:
FGG.1B.512.CTAD42



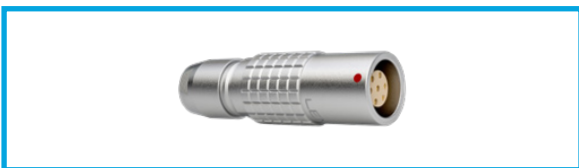
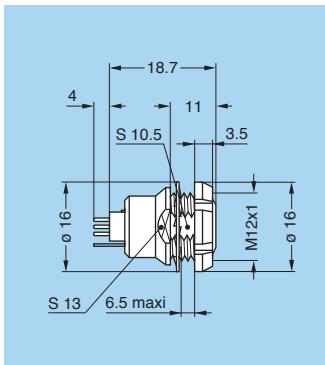
ECG.1B.512 Fixed socket with two nuts, key (G) or keys (A...F) and straight contact for printed circuit (back panel mounting)

Part Number Example:
ECG.1B.512.CTN



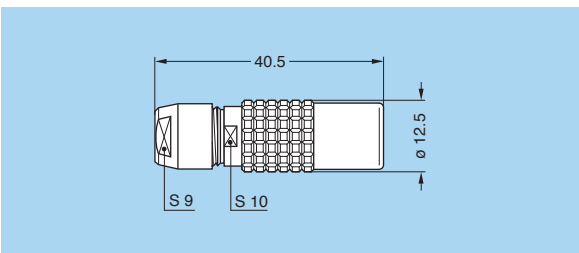
EAG.1B.512 Fixed socket, nut fixing, key (G) or keys (A...F) and straight contact for printed circuit (back panel mounting)

Part Number Example:
EAG.1B.512.CLN

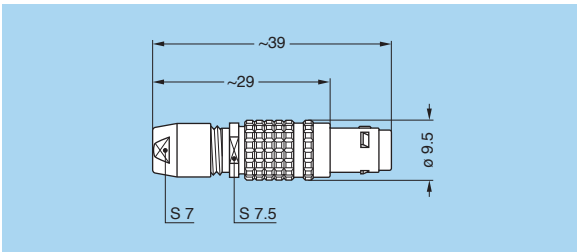
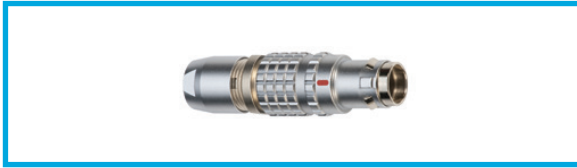


PHG.1B.512 Free socket, key (G) or keys (A...F), cable collet

Part Number Example:
PHG.1B.512.CTLD42

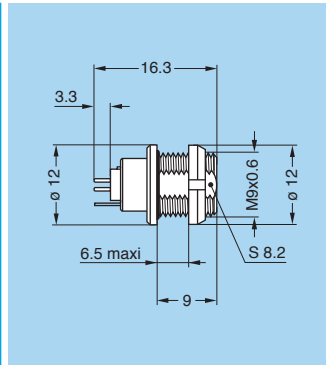


T series models



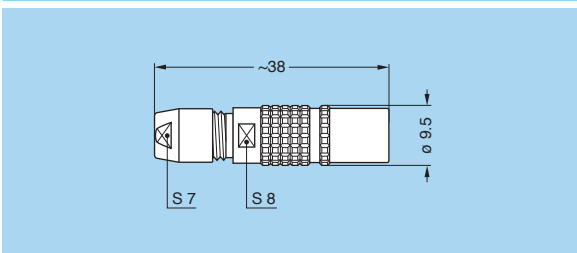
FGG.0T.511 Straight plug, key (G) or keys (A...F), cable collet

Part Number Example:
FGG.0T.511.CLAC35



EAG.0T.511 Fixed socket, nut fixing, key (G) or keys (A...F) and straight contact for printed circuit (back panel mounting)

Part Number Example:
EAG.0T.511.CLN



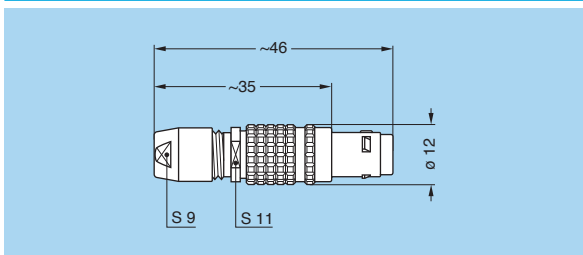
PHG.0T.511 Free socket, key (G) or keys (A...F), cable collet

Part Number Example:
PHG.0T.511.CLLC35



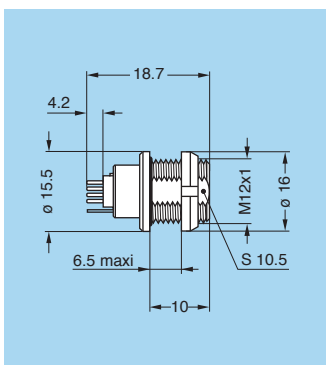
FGG.1T.512 Straight plug, key (G) or keys (A...F), cable collet

Part Number Example:
FGG.1T.512.CTAC45



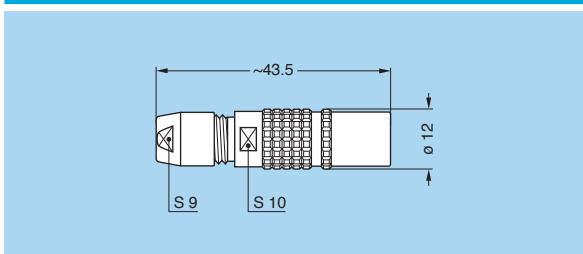
EAG.1T.512 Fixed socket with two nuts, key (G) or keys (A...F) and straight contact for printed circuit (back panel mounting)

Part Number Example:
EAG.1T.512.CTN



PHG.1T.512 Free socket, key (G) or keys (A...F), cable collet

Part Number Example:
PHG.1T.512.CTLC45

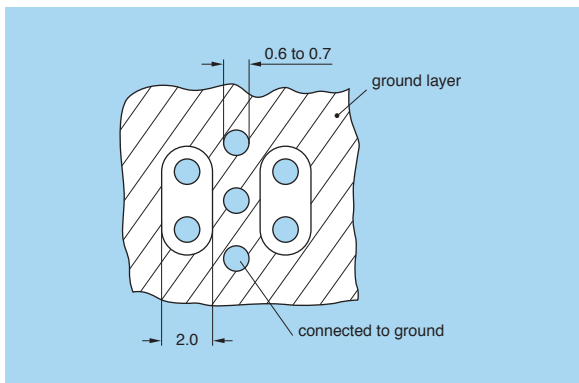


Insert configuration and electrical characteristics

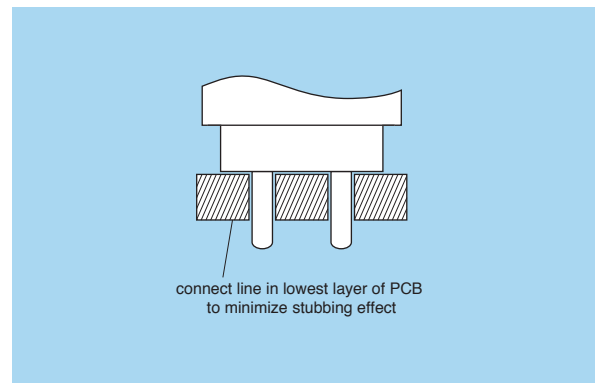
Solder contacts		Reference	Series	Contact ϕ (mm)	Solder contact	Print contact	AWG		Test voltage (kV DC) contact-contact	Rated current (A) ¹⁾	
							Wire section (mm ²)	Solder			
								min.			max.
		511	0B-0T	0.5	●	●	0.14	30	26 ¹⁾	2.2	5
		512	1B-1T	0.5	●	●	0.14	30	26 ¹⁾	tbd	tbd

Note: ¹⁾ AWG 26, please check wire construction, wire section should be less than 0.14 mm².

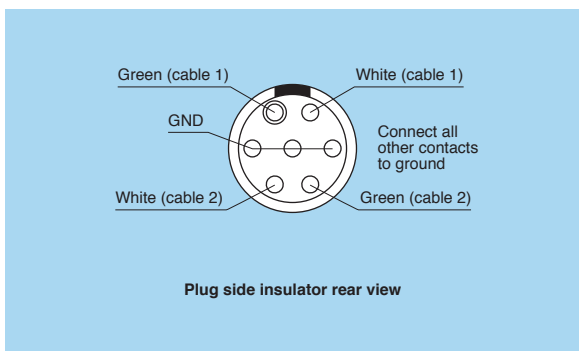
PCB drilling pattern (1B.512)

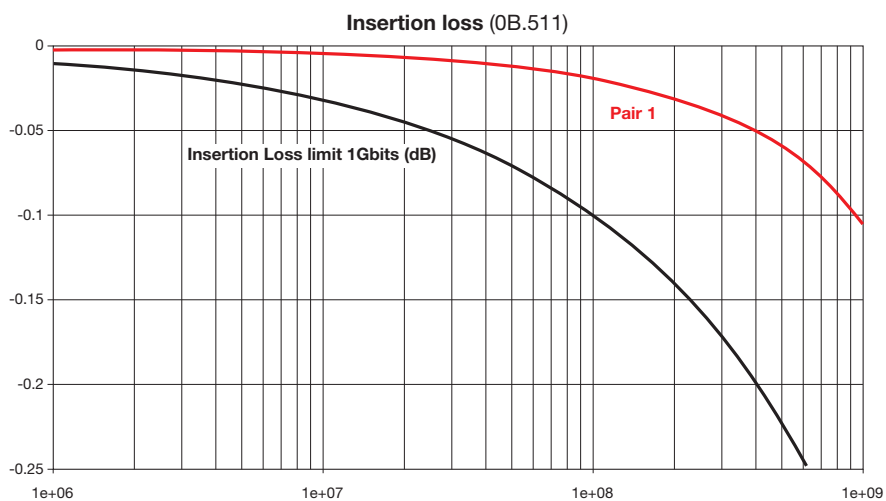
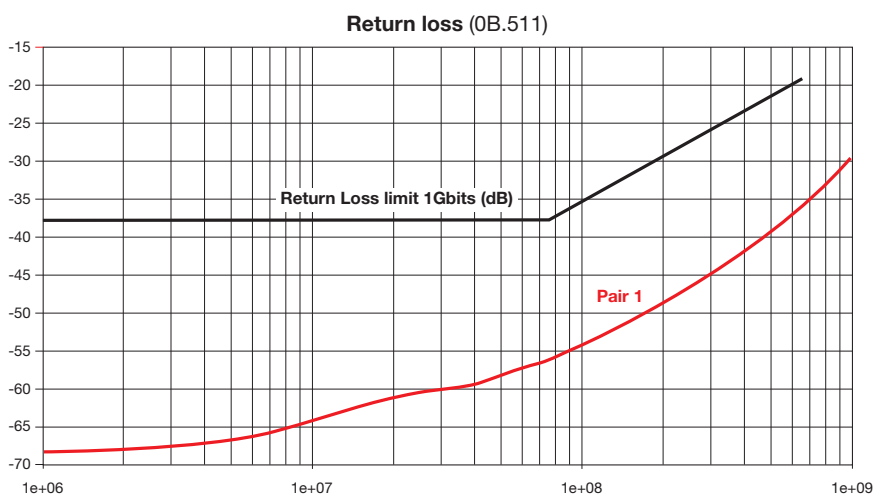
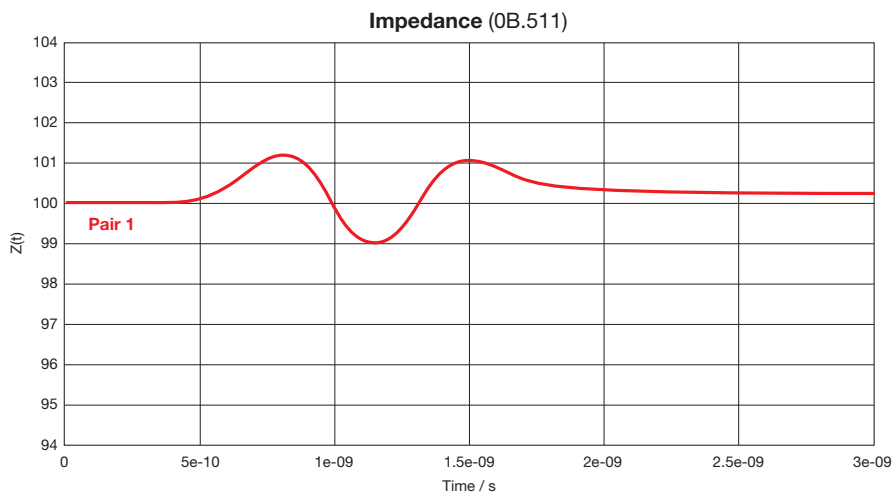


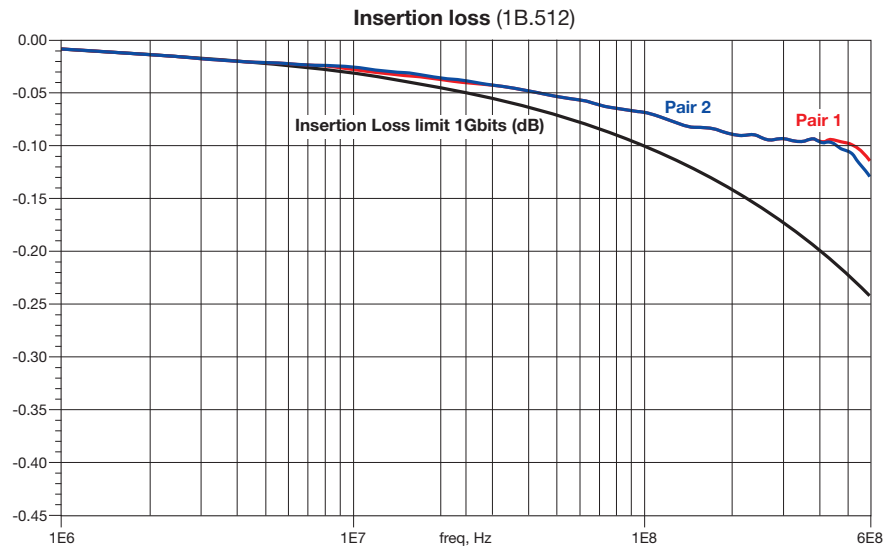
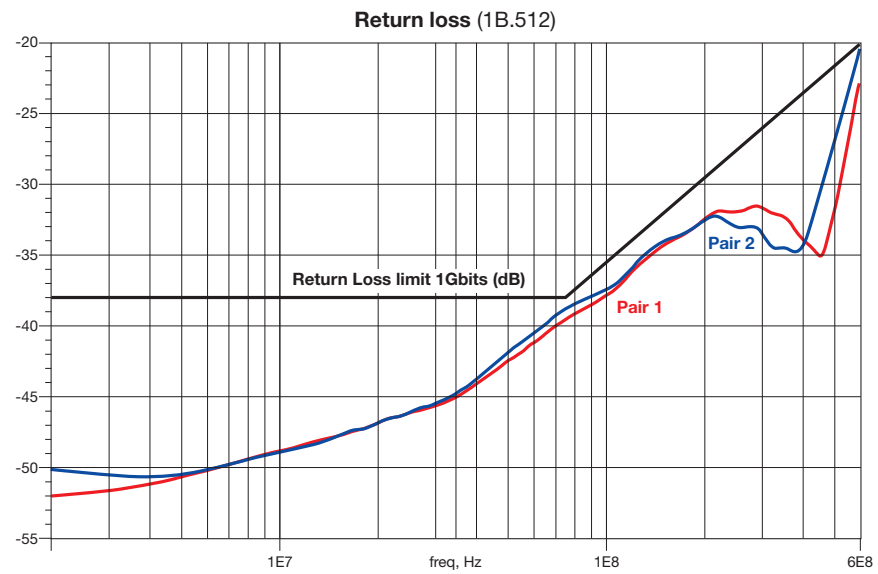
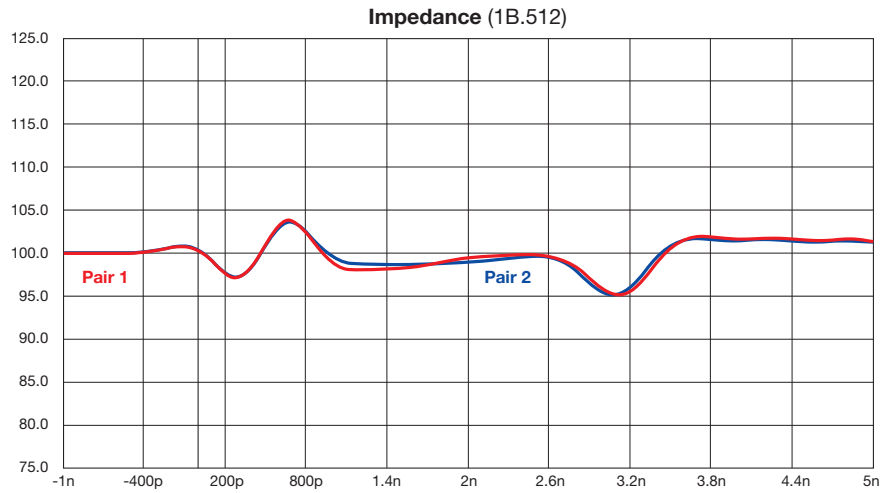
Cross section PCB



Assembly instructions (1B.512)







LEMO HEADQUARTERS
 SWITZERLAND
 LEMO SA
 Chemin des Champs-Courbes 28 - P.O. Box 194 - CH-1024 Ecublens
 Tel. (+41 21) 695 16 00 - Fax (+41 21) 695 16 02 - e-mail: info@lemo.com

www.lemo.com