

# GOT107W-319 NEW

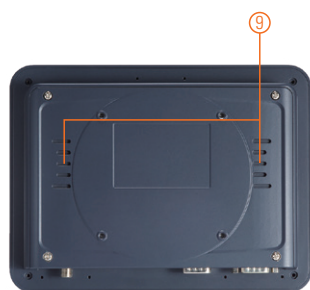
7" WSVGA TFT Fanless Touch Panel Computer with Intel® Celeron® Processor N3350 or Intel® Pentium® Processor N4200

## Features

- 7" WSVGA TFT LCD display with LED backlight
- Fanless design with Intel® Celeron® processor N3350 or Intel® Pentium® Processor N4200
- 2 GbE LAN, 2 USB and 2 COM ports
- Plastic and IP65-rated front bezel
- External AT/ATX mode selection switch
- Easy access storage & RAM design
- Supports panel mount, wall mount, VESA arm and desktop stand
- RS-232/422/485 with RI/5V/12V selectable by BIOS
- Programmable OSD function key



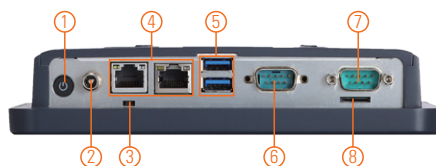
▲ Side view



▲ Rear view



1. Power LED
2. HDD LED
3. Brightness adjust +/-
4. Display on/off
5. Volume adjust +/-



1. Power button
2. Screw connector for adapter
3. AT/ATX switch
4. 2 x LAN
5. 2 x USB 3.0
6. 1 x RS-232/422/485
7. 1 x RS-232
8. Micro SD card slot
9. Speaker



## Introduction

The GOT107W-319 is a 7" fanless touch panel computer. In response to market demand, this panel computer is a cost effective solution. It adopts a modern, super sleek and fanless design and is equipped with the Intel® Celeron® processor N3350 up to 2.40 GHz. For wireless network connection, the GOT107W-319 offers one PCI Express Mini Card slot and one M.2 Key E for wireless module. By just plugging in the WLAN card, customers can have instant access to wireless LAN/GPRS/GSM/4G environments.

### Super Slim Design

The GOT107W-319 is a super slim touch panel computer for space-limited applications.

### Support Front Membrane Keys

The GOT107W-319 has 5 membrane keys on the front panel which allows users to adjust the LCD on/off, LCD brightness and volume setting easily.

### Aluminum Back Chassis with Excellent Thermal Solution

With Axiomtek's patent for plastic plus aluminum mechanism design, the GOT107W-319 can dissipate the heat easily and keep the system operation stable.

## Specifications

Front Bezel	IP65, NEMA 4 rugged protection, plastic front bezel	
LCD Panel	Display Type	7" WSVGA TFT LCD with LED backlight
	Brightness (cd/m <sup>2</sup> )	320 nits
	Resolution	1024 x 600
	Viewing Angel (H/V)	145°/150°
Main System	CPU	Intel® Celeron® processor N3350 2 cores (up to 2.40 GHz) Intel® Pentium® Processor N4200 4 cores (up to 2.5 GHz)
	System Memory	1 x 204-pin DDR3L-1600 SO-DIMM, up to 8GB
	BIOS	AMI UEFI BIOS
	Storage	1 x mSATA (default storage) 1 x MicroSD card
	Watchdog Timer	255 levels, 0 to 255 sec.
	Onboard Graphics	Integrated in Intel® GFX

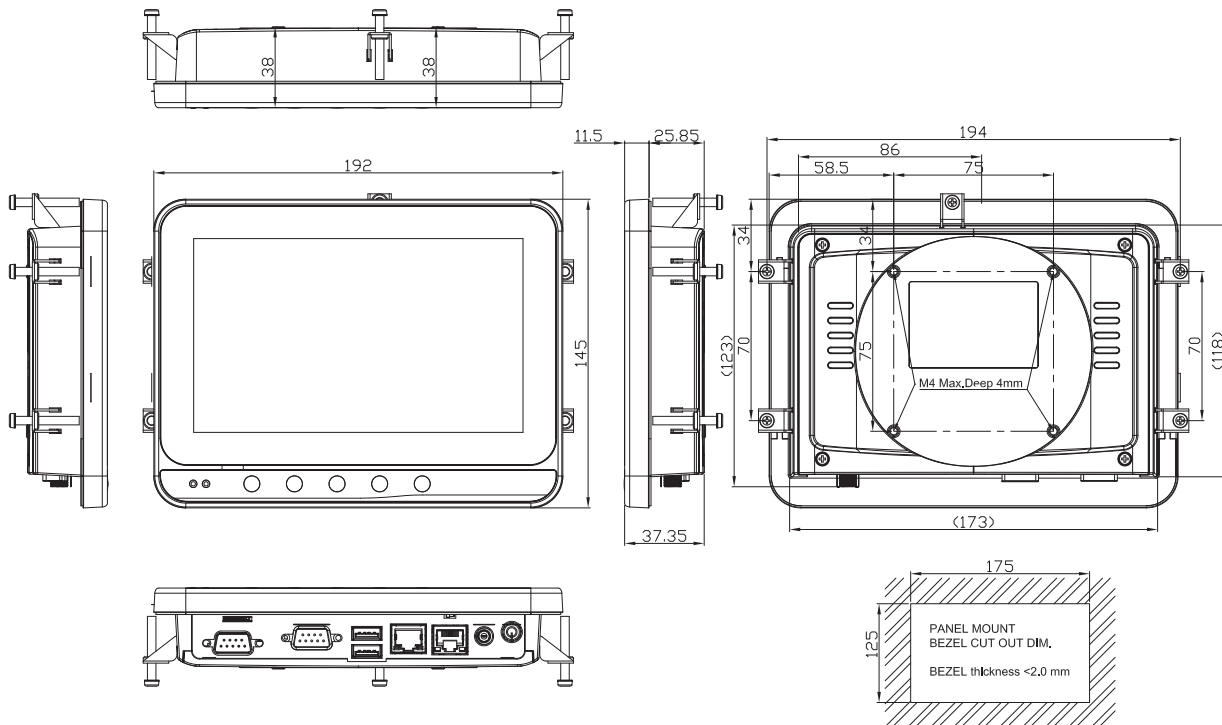
## Specifications

I/O Connector	1 x RS-232/422/485 1 x RS-232 2 x 10/100/1000 Mbps Ethernet 2 x USB 3.0 1 x Screw type connector for power 1 x Power switch
Expansion Interface	1 x M.2 Key E for wireless module 1 x Full-size PCI Express Mini Card slot
Touchscreen	Projected capacitive multi-touch
Power Supply	DC version : 9 to 24VDC with adapter cable
Power Consumption	20.4W
Dimensions	192 mm (7.56") (W) x 37.4 mm (1.47") (D) x 145 mm (5.7") (H)
Packing Dimensions	380 mm (15") (W) x 100 mm (4") (D) x 280 mm (11") (H)
Weight (net/gross)	0.75 kg/2.0 kg
Operating Temperature	0°C to +50°C (+32°F to +122°F)
Relative Humidity	20% to 90% @ +40°C; non-condensing
Operation Vibration	2G, 5 to 500Hz, random for SSD
Certifications	CE, FCC class B

## Packing List

- 1 x GOT107W-319
- 1 x DC cable (GOT107W-319-DC)
- 1 x M3 Screw for M.2 card slot
- 1 x M2 screw for mSATA card slot
- 1 x Thermal pad for RAM
- 1 x Thermal pad for mSATA

## Dimensions



## Ordering Information

Standard	
GOT107W-319 DC	7" WSVGA fanless touch panel computer with Intel® Celeron® N3350 processor onboard, projected capacitive multi-touch screen, and EMI Class B with screw type connector, DC cable, and AX logo
GOT107W-319 N4200 DC	7" WSVGA fanless touch panel computer with Intel® Pentium® N4200 processor onboard, projected capacitive multi-touch screen, and EMI Class B with screw type connector, DC cable, and AX logo

## Optional Accessories

Wi-Fi + Bluetooth kit	5A2AP123580E
Panel mount kit	8812B1071A0E
Wall mount kit	812B1070A0E
Stand kit	E226171119
Adapter	50956A24030E

\* Specifications and certifications may vary based on different requirements.

## Optional OS Installation

Windows® 10