



300W Single Output with PFC Function

HRPG-300 series



■ Features :

- Universal AC input / Full range
- Built-in active PFC function, PF>0.95
- High efficiency up to 89% (typ.)
- Withstand 300VAC surge input for 5 seconds
- Protections: Short circuit / Overload / Over voltage / Over temperature
- Built-in constant current limiting circuit
- 1U low profile 41mm
- Built-in cooling fan ON-OFF control
- With DC OK signal output
- Built-in remote ON-OFF control
- Standby 5V@0.3A
- Built-in remote sense function
- No load power consumption<0.5W
- 5 years warranty



SPECIFICATION

| MODEL | HRPG-300-3.3 | HRPG-300-5 | HRPG-300-7.5 | HRPG-300-12 | HRPG-300-15 | HRPG-300-24 | HRPG-300-36 | HRPG-300-48 | |
|-----------------------|--|---|--------------------------|----------------------------------|--------------|--------------|--------------|--------------|--------------|
| OUTPUT | DC VOLTAGE | 3.3V | 5V | 7.5V | 12V | 15V | 24V | 36V | 48V |
| | RATED CURRENT | 60A | 60A | 40A | 27A | 22A | 14A | 9A | 7A |
| | CURRENT RANGE | 0 ~ 60A | 0 ~ 60A | 0 ~ 40A | 0 ~ 27A | 0 ~ 22A | 0 ~ 14A | 0 ~ 9A | 0 ~ 7A |
| | RATED POWER | 198W | 300W | 300W | 324W | 330W | 336W | 324W | 336W |
| | RIPPLE & NOISE (max.) Note.2 | 80mVp-p | 90mVp-p | 100mVp-p | 120mVp-p | 150mVp-p | 150mVp-p | 250mVp-p | 250mVp-p |
| | VOLTAGE ADJ. RANGE | 2.8 ~ 3.8V | 4.3 ~ 5.8V | 6.8 ~ 9V | 10.2 ~ 13.8V | 13.5 ~ 18V | 21.6 ~ 28.8V | 28.8 ~ 39.6V | 40.8 ~ 55.2V |
| | VOLTAGE TOLERANCE Note.3 | ±2.5% | ±2.0% | ±2.0% | ±1.0% | ±1.0% | ±1.0% | ±1.0% | ±1.0% |
| | LINE REGULATION | ±0.5% | ±0.5% | ±0.5% | ±0.3% | ±0.3% | ±0.2% | ±0.2% | ±0.2% |
| | LOAD REGULATION | ±1.0% | ±1.0% | ±1.0% | ±0.5% | ±0.5% | ±0.5% | ±0.5% | ±0.5% |
| | SETUP, RISE TIME | 1000ms, 50ms/230VAC | | 2500ms, 50ms/115VAC at full load | | | | | |
| HOLD UP TIME (Typ.) | 16ms/230VAC | | 16ms/115VAC at full load | | | | | | |
| INPUT | VOLTAGE RANGE Note.5 | 85 ~ 264VAC | | 120 ~ 370VDC | | | | | |
| | FREQUENCY RANGE | 47 ~ 63Hz | | | | | | | |
| | POWER FACTOR (Typ.) | PF>0.95/230VAC | | PF>0.99/115VAC at full load | | | | | |
| | EFFICIENCY (Typ.) | 80% | 82% | 86% | 88% | 88% | 87% | 88% | 89% |
| | AC CURRENT (Typ.) | 5A/115VAC | | 2.5A/230VAC | | | | | |
| | INRUSH CURRENT (Typ.) | 35A/115VAC | | 70A/230VAC | | | | | |
| LEAKAGE CURRENT | <1.2mA / 240VAC | | | | | | | | |
| PROTECTION | OVERLOAD | 105 ~ 135% rated output power Protection type : Constant current limiting, recovers automatically after fault condition is removed | | | | | | | |
| | OVER VOLTAGE | 3.96 ~ 4.62V | 6 ~ 7V | 9.4 ~ 10.9V | 14.4 ~ 16.8V | 18.8 ~ 21.8V | 30 ~ 34.8V | 41.4 ~ 48.6V | 57.6 ~ 67.2V |
| | OVER TEMPERATURE | 90°C ±5°C (TSW1: detect on heatsink of power transistor) 100°C ±5°C for 3.3V,5V,7.5V ; 95°C ±5°C for others (TSW2: detect on heatsink of power diode) Protection type : Shut down o/p voltage, recovers automatically after temperature goes down | | | | | | | |
| FUNCTION | 5V STANDBY | 5VSB : 5V@0.3A ; tolerance ± 5%, ripple : 50mVp-p(max.) | | | | | | | |
| | DC OK SIGNAL | PSU turns on : 3.3 ~ 5.6V ; PSU turns off : 0 ~ 1V | | | | | | | |
| | REMOTE CONTROL | RC+ / RC- : 4 ~ 10V or open = power on ; 0 ~ 0.8V or short = power off | | | | | | | |
| | FAN CONTROL (Typ.) | Load 35±15% or RTH2 ≥ 50°C Fan on | | | | | | | |
| ENVIRONMENT | WORKING TEMP. | -30 ~ +70°C (Refer to output load derating curve) | | | | | | | |
| | WORKING HUMIDITY | 20 ~ 90% RH non-condensing | | | | | | | |
| | STORAGE TEMP., HUMIDITY | -40 ~ +85°C, 10 ~ 95% RH | | | | | | | |
| | TEMP. COEFFICIENT | ±0.03%/°C (0 ~ 50°C) | | | | | | | |
| | VIBRATION | 10 ~ 500Hz, 5G 10min./1cycle, 60min. each along X, Y, Z axes | | | | | | | |
| SAFETY & EMC (Note 4) | SAFETY STANDARDS | UL60950-1, TUV EN60950-1 approved | | | | | | | |
| | WITHSTAND VOLTAGE | I/P-O/P:3KVAC I/P-FG:1.5KVAC O/P-FG:0.5KVAC | | | | | | | |
| | ISOLATION RESISTANCE | I/P-O/P, I/P-FG, O/P-FG:100M Ohms / 500VDC / 25°C / 70% RH | | | | | | | |
| | EMI CONDUCTION & RADIATION | Compliance to EN55022 (CISPR22) Class B | | | | | | | |
| | HARMONIC CURRENT | Compliance to EN61000-3-2,-3 | | | | | | | |
| OTHERS | EMS IMMUNITY | Compliance to EN61000-4-2,3,4,5,6,8,11, ENV50204, EN55024, EN61000-6-2, heavy industry level, criteria A | | | | | | | |
| | MTBF | 176K hrs min. MIL-HDBK-217F (25°C) | | | | | | | |
| | DIMENSION | 199*105*41mm (L*W*H) | | | | | | | |
| PACKING | 0.95Kg;15pcs/15.3Kg/0.69CUFT | | | | | | | | |
| NOTE | <ol style="list-style-type: none"> 1. All parameters NOT specially mentioned are measured at 230VAC input, rated load and 25°C of ambient temperature. 2. Ripple & noise are measured at 20MHz of bandwidth by using a 12" twisted pair-wire terminated with a 0.1uf & 47uf parallel capacitor. 3. Tolerance : includes set up tolerance, line regulation and load regulation. 4. The power supply is considered a component which will be installed into a final equipment. The final equipment must be re-confirmed that it still meets EMC directives. 5. Derating may be needed under low input voltages. Please check the derating curve for more details. | | | | | | | | |

File Name:HRPG-300-SPEC 2009-11-09



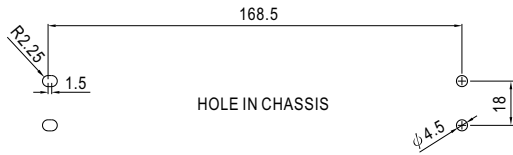


300W Single Output with PFC Function

HRPG-300 series

Mechanical Specification

Case No.980A Unit:mm

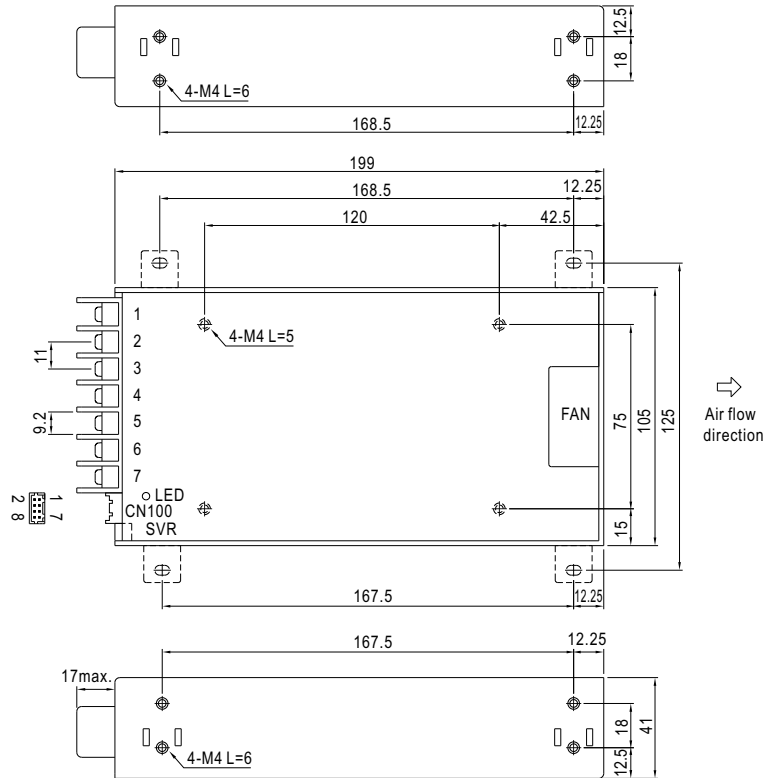


Terminal Pin No. Assignment

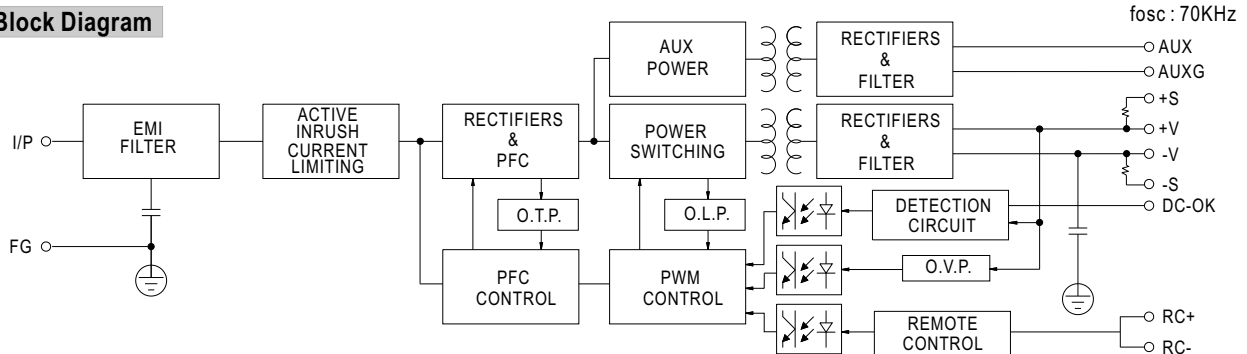
| Pin No. | Assignment | Pin No. | Assignment |
|---------|------------|---------|--------------|
| 1 | AC/L | 4,5 | DC OUTPUT -V |
| 2 | AC/N | 6,7 | DC OUTPUT +V |
| 3 | FG | | |

Connector Pin No. Assignment (CN100) :
HRS DF11-8DP-2DS or equivalent

| Pin No. | Assignment | Mating Housing | Terminal |
|---------|------------|-------------------------------|--------------------------------|
| 1 | AUX | HRS DF11-8DS or equivalent | HRS DF11-**SC or equivalent |
| 2 | AUXG | | |
| 3 | DC-OK | | |
| 4 | RC- | | |
| 5 | GND | | |
| 6 | RC+ | | |
| 7 | +S | | |
| 8 | -S | | |

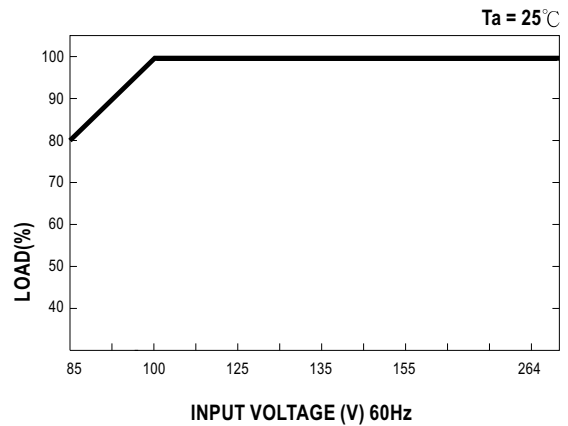
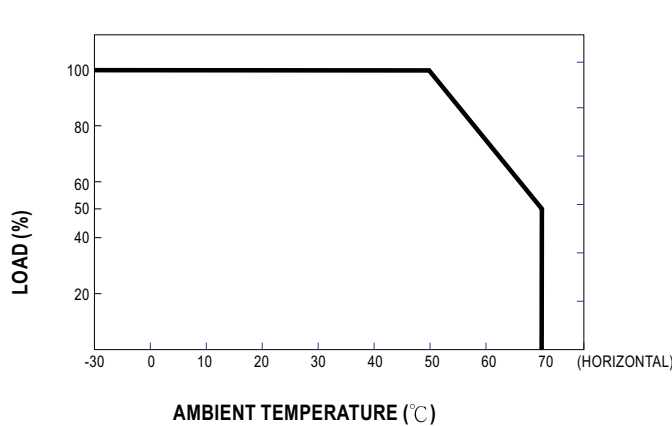


Block Diagram



Derating Curve

Output Derating VS Input Voltage





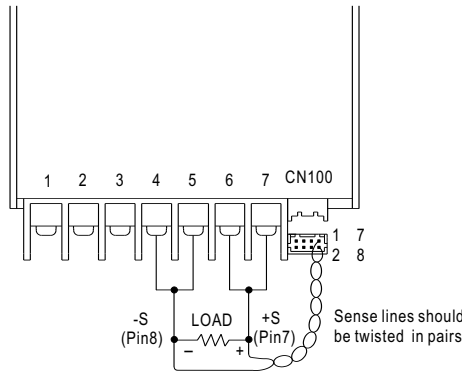
■ Function Description of CN100

| Pin No. | Function | Description |
|---------|----------|---|
| 1 | AUX | Auxiliary voltage output, 4.6~5.25V, reference to pin 2(AUXG). The maximum load current is 0.3A. This output has the built-in oring diodes and is not controlled by the "remote ON/OFF control". |
| 2 | AUXG | Auxiliary voltage output ground. The signal return is isolated from the output terminals (+V & -V). |
| 3 | DC-OK | DC-OK signal is a TTL level signal, referenced to pin5(DC-OK GND). High when PSU turns on. |
| 4 | RC- | Remote control ground. |
| 5 | GND | This pin connects to the negative terminal(-V). Return for DC-OK signal output. |
| 6 | RC+ | Turns the output on and off by electrical or dry contact between pin 4 (RC-), Short: Power OFF, Open: Power ON. |
| 7 | +S | Positive sensing. The +S signal should be connected to the positive terminal of the load. The +S and -S leads should be twisted in pair to minimize noise pick-up effect. The maximum line drop compensation is 0.5V. |
| 8 | -S | Negative sensing. The -S signal should be connected to the negative terminal of the load. The -S and +S leads should be twisted in pair to minimize noise pick-up effect. The maximum line drop compensation is 0.5V. |

■ Function Manual

1.Remote Sense

The remote sensing compensates voltage drop on the load wiring up to 0.5V.



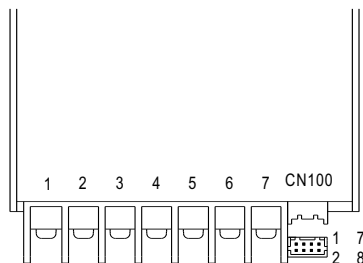
| CN100 | | | | | |
|-------|------|-------|-----|----|---|
| 1 | AUX | DC-OK | GND | +S | 7 |
| 2 | AUXG | RC- | RC+ | -S | 8 |

Fig 1.1

2.DC-OK Signal

DC-OK signal is a TTL level signal. High when PSU turns on.

| Between DC-OK(pin6) and GND(pin4) | Output Status |
|-----------------------------------|---------------|
| 3.3 ~ 5.6V | ON |
| 0 ~ 1V | OFF |



| CN100 | | | | | |
|-------|------|-------|-----|----|---|
| 1 | AUX | DC-OK | GND | +S | 7 |
| 2 | AUXG | RC- | RC+ | -S | 8 |

Fig 2.1



3. Remote Control

The PSU can be turned ON/OFF by using the "Remote ON/OFF" function

| Between RC+(pin3) and RC-(pin5) | Output Status |
|---------------------------------|---------------|
| SW ON (Short) | OFF |
| SW OFF (Open) | ON |

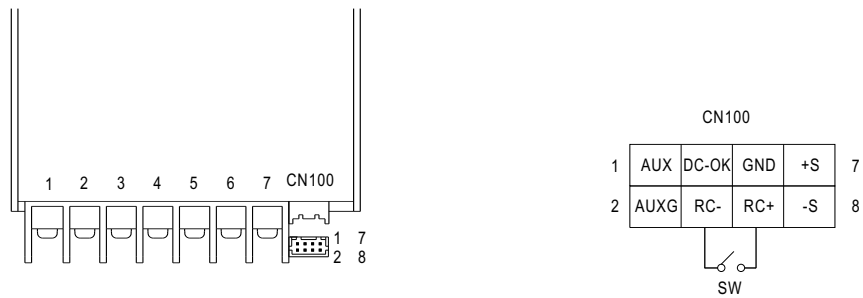


Fig 3.1

We are here for you. Addresses and Contacts

Sales Switzerland

Matthias Rüegg
Ruhbergstrasse 32
CH-9230 Flawil

Phone +41 44 877 35 18
Mobile+41 76 491 66 66
Fax +41 44 877 35 19

matthias.rueegg@pewatron.com

Sales Germany

Baden-Württemberg Region
(Postcode 60000–79999)

Dieter Hirthe
Mühlweg 23
D-71554 Weissach i.T.

Phone +49 71 91 49 60 58
Mobile+49 163 76 27 430
Fax +49 71 91 93 31 88

dieter.hirthe@pewatron.com

Rest of Germany

Kurt Stritzelberger
Neumarkter Str. 86a
D-81673 Munich

Phone +49 89 260 38 47
Mobile+49 17 18 03 41 35
Fax +49 89 43 10 91 91

kurt.stritzelberger@pewatron.com

Sales Austria

Kurt Stritzelberger
Neumarkter Str. 86a
D-81673 Munich

Phone +49 89 260 38 47
Mobile+49 17 18 03 41 35
Fax +49 89 43 10 91 91

kurt.stritzelberger@pewatron.com

Sales Other Countries

PEWATRON AG
Thurgauerstrasse 66
CH-8052 Zurich

Phone +41 44 877 35 00
Fax +41 44 877 35 25

info@pewatron.com
www.pewatron.com

Sensors

Physical Sensors
Data Acquisition
Peter Felder
Phone +41 44 877 35 05
peter.felder@pewatron.com

Geometrical Sensors
Eric Letsch
Phone +41 44 877 35 14
eric.letsch@pewatron.com

Power Supplies

DC-DC Converters
Switching Power Supplies
DC-AC Inverters
Sebastiano Leggio
Phone +41 44 877 35 06
sebastiano.leggio@pewatron.com

E-Components

Current Converters
Man Machine Interface
Measurement Probes
Sebastiano Leggio
Phone +41 44 877 35 06
sebastiano.leggio@pewatron.com