

# Press release

CH-Allschwil, 8 April 2013

**+++++ RobiFix-LOCK +++++**

*Very fast, user-friendly and suitable for overhung locking or wall mounting - the new interlock system for RobiFix*

Multi-Contact has developed a new standard for robot dress packs for spot welding. The RobiFix primary circuit connector provides power supply in the dress pack with single-core cables, and is particularly compact, installation-friendly and cost-effective. New accessory parts now round out the system and extend its possible applications.

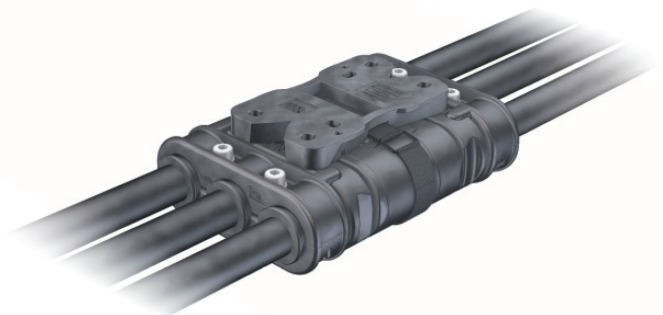
With RobiFix-LOCK, the connector can easily be fastened and/or locked.

On the one hand, this permits a welding robot to be fastened to a mounting plate, for example. But on the other hand, the RobiFix-LOCK is also used for overhung interlocking of the plug connection in manual welding gun applications.

Please visit our new Web site for more information: [www.robifix.com](http://www.robifix.com)



**RobiFix-LOCK**



**RobiFix connected**