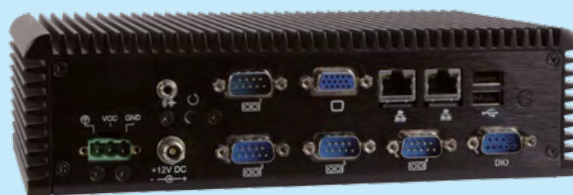


ECW-281B/D2550

Fanless Embedded System for Intel® Atom™ dual-core D2550

New



Features

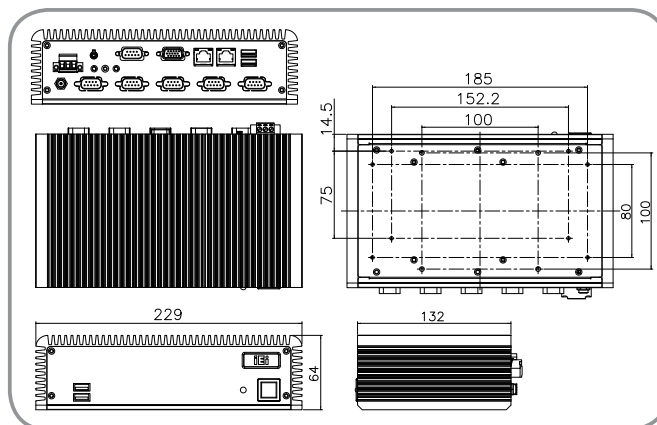
- ◆ Fanless system with Intel® Atom D2550 Dual core 1.86GHz
- ◆ Supports 4 COM ports (3 x RS-232 , 1 x RS-422/485)
- ◆ 2 PCIe mini slots (1 x full size , 1 x half size)
- ◆ 12V DC and 9~36V DC model available
- ◆ 2T2R 802.11 b/g/n wireless model available



Specifications

Model Name		ECW-281B-D2550
Chassis	Color	Black
	Dimensions (WxDxH)	229 x 132 x 64 mm
	System Fan	Fanless
	Chassis Construction	Aluminum Alloy with heavy duty metal
Motherboard	Motherboard Model	WAFER-CV-D25501
	Processor CPU	Intel® Atom D2550 Dual core 1.86GHz / 1MB L2 cache
	Chipset	Intel® NM10
	System Memory	2GB DDR3 204-pin SO-DIMM memory pre-installed
Storage	Hard Drive	1 x 2.5" SATA HDD Bay
I/O interfaces	USB 2.0	4
	Ethernet	2 x Realtek RTL8111E PCIe GbE controller
	RS-232	3 x DB-9
	RS-422/485	1 x DB-9
	Display	1 x VGA
	Resolution	Up to 1920 x 1200 @ 60Hz
	Audio	1 x Line-out
	Other	8-bit digital I/O (4-bit input, 4-bit output)
	Wireless	1 x 802.11 b/g/n (optional)
	Expansions	1x Full size (support mSATA) 1 x Half size
Power	Power Input	DC Jack : 12V DC 3 pin terminal block : 9~ 36VDC (WD model)
	Power Consumption	12V@1.53A (with DDR3 1GB)
Reliability	Mounting	DIN-rail, VESA 100, wall mount
	Operating Temperature	-10°C~50°C with hard drive
	Operating Shock	Half-sine wave shock 3G, 11ms, 3 shocks per axis
	Operating Vibration	MIL-STD-810F 514.5C-1 (HDD)
	Weight (Net/Gross)	2.1Kg / 3.9 Kg

Dimensions (Unit: mm)



Packing List

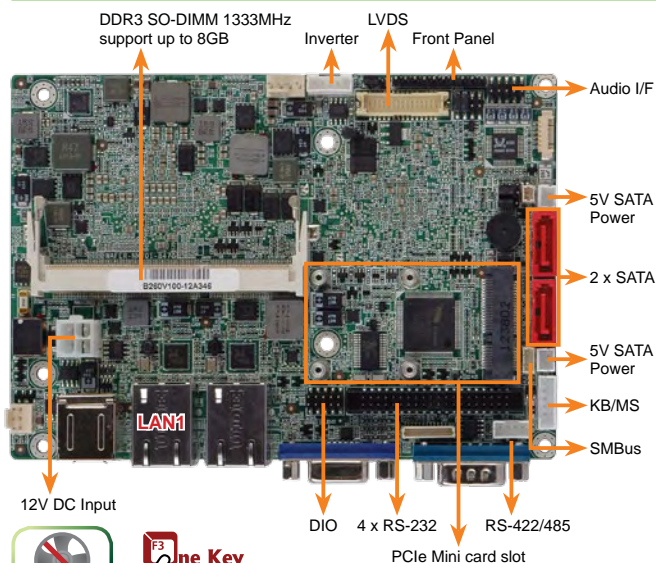
1 x QIG	1 x Driver & user manual CD
1 x Screw set	1 x 12V 60W power adapter (optional for WD model) (P/N : 63000-FSP060DBAB1552-RS)
1 x DIN mount	1 x Power cord (optional for WD model)
1 x Hard drive thermal pad	1 x Wireless antenna (for wireless model)
2 x Wall mount bracket	1 x One Key Recovery CD

Ordering Information

Part No.	Description
12V DC input	ECW-281B-R10/D2550/2GB Fanless embedded system with WAFER-CV-D25501, with dual core Intel® ATOM™ D2550 1.86G, 4 serial ports, with 2GB DDR3 pre-installed SO-DIMM memory, 12VDC in, 60W power adapter, black, RoHS
	ECW-281BW-R10/D2550/2GB Fanless embedded system with WAFER-CV-D25501, with dual core Intel® ATOM™ D2550 1.86G, built-in 802.11 b/g/n 2T2R wireless module, 4 serial ports, with 2GB DDR3 pre-installed SO-DIMM memory, 12VDC in, 60W power adapter, black, RoHS
9~36V DC input	ECW-281BWD-R10/D2550/2GB Fanless embedded system with WAFER-CV-D25501, with dual core Intel® ATOM™ D2550 1.86G, 4 serial ports, with 2GB DDR3 pre-installed SO-DIMM memory, 9~36VDC in, 60W power adapter, black, RoHS
	ECW-281BWDW-R10/D2550/2GB Fanless embedded system with WAFER-CV-D25501, with dual core Intel® ATOM™ D2550 1.86G, built-in 802.11 b/g/n 2T2R wireless module, 4 serial ports, with 2GB DDR3 pre-installed SO-DIMM memory, 9~36VDC in, 60W power adapter, black, RoHS

WAFER-NM701-847

3.5" SBC of ivy bridge platform supports Intel® Celeron® dual core 847 1.1GHz on-board processor, DDR3, VGA/LVDS, Dual GbE, USB 2.0, mSATA, SATA 3GB/s and Audio

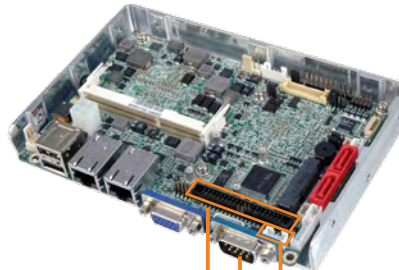


Specifications

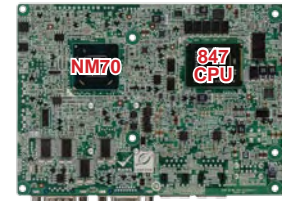
- ◆ CPU
Intel® mobile Celeron® dual core processor 847 1.1GHz on-board processor
- ◆ PCH
Intel® NM70
- ◆ BIOS
UEFI BIOS
- ◆ Memory
One 204-pin 1333/1066MHz DDR3 SO-DIMM supported (system max. 8GB)
- ◆ Graphic
Intel® HD Graphics Gen 6 support for DX10.1 and OpenGL 3.0
Full MPEG2, VC1, AVC Decode
- ◆ Display Output
Dual independent display support
VGA integrated in NM70 (2048x1536@75MHz)
Dual channel 24-bit LVDS integrated in NM70 (1920x1600@60MHz)
- ◆ Ethernet
Dual PCIe GbE by Realtek RTL8111E controllers with ASF 2.0 support
- ◆ Super I/O
Fintek F81867
- ◆ I/O Interface
2 x USB 2.0 (2 on rear) 2 x SATA 3Gb/s with SATA 5V power connector
2 x USB 2.0 (2 by pin header) 1 x 6-pin wafer for PS/2 KB/MS
1 x RS-422/485 (1 by pin header) 5 x RS-232 (1 on rear, 4 by pin header)
- ◆ Audio
Realtek ALC662 HD codec (Line-in, Line-out, Mic)
- ◆ Front Panel
1 x 10-pin (1x10) header
- ◆ SMBus
1 x 4-pin (1x4) wafer
- ◆ Expansion
1 x full/half size PCIe mini card slot with mSATA support
- ◆ Digital I/O
8-bit digital I/O (4-bit input/ 4-bit output)
- ◆ FAN Connector
1 x 4-pin CPU fan connector
1 x 3-pin system fan connector
- ◆ Power Supply
12V only, AT/ATX support
- ◆ Power Consumption
12V@2.72A (Intel® mobile Celeron™ 847 1.1GHz processor with 1333MHz 8GB DDR3 memory)
- ◆ Watchdog Timer
Software programmable support 1~255 sec. System reset
- ◆ Operating Temperature
-10°C ~ 60°C
- ◆ Storage Temperature
-20°C ~ 85°C
- ◆ Operating Humidity
5% ~95%, non-condensing
- ◆ Dimension
146mm x 102mm
- ◆ Weight
GW:600g / NW:250g

Cost Effective Performance Solution

The first low power on-board processor (TDP=35W) with fanless design by Intel® Ivy Bridge Platform.



Solder Side



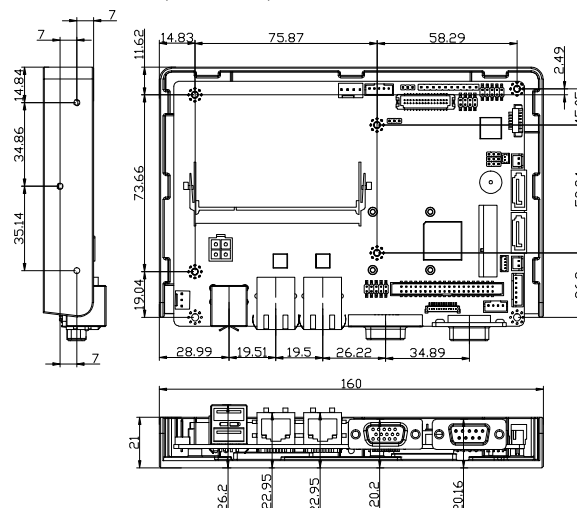
EPIC board with six serial ports for multiple compliance devices



Features

1. 3.5" SBC with Intel® 32nm mobile Celeron® dual core 847 1.1GHz on-board processor
2. VGA and LVDS supports dual display output
3. One 204-pin 1333/1066MHz DDR3 SO-DIMM supported up to 8GB
4. Thermal design for easy fanless by assembling enclosure heatsink on system chassis
5. Support 6 x COM, 4 x USB 3.0, 2 x SATA 3Gb/s, 1 x mSATA and Audio
6. IEI One Key Recovery solution allows you to create rapid OS backup and recovery

Dimensions (Unit: mm)



Packing List

1 x WAFER-NM701-847 Single Board Computer	
1 x Quad ports RS-232 cable (P/N: 32200-025401-RS)	
2 x SATA with Power cable kit (P/N: 32801-000201-100-RS)	
2 x Plastic shaft for securing half-size PCIe Mini card (P/N: 43124-0010C2-01-RS)	
1 x Audio cable (P/N: 32000-072100-RS)	1 x One Key Recovery CD
1 x Power cable (P/N: 32100-087100-RS)	1 x Mini Jumper Pack
1 x PS/2 KB/MS Y-cable (P/N: 32000-023800-RS)	1 x Utility CD
1 x Enclosure heatsink	1 x QIG (Quick Installation Guide)

Ordering Information

Part No.	Description
WAFER-NM701-847-R10	3.5" SBC of ivy bridge platform supports Intel® Celeron® dual core 847 1.1GHz on-board processor, DDR3, VGA/LVDS, Dual GbE, USB 2.0, mSATA, SATA 3GB/s and Audio
32006-001100-101-RS	Dual port USB cable
32205-003800-100-RS	RS-422/485 cable, 200mm