

NDiS B328-SI/KI Series

Fanless Embedded Computer Powered
by Intel® Core™ i3-6100U/7100U, i5-6200U/7300U SoC Processor



Main Features

- Intel® Core™ i3-6100U/7100U, i5-6200U/7300U
- HDMI 4K resolution
- USB 3.0 support
- WLAN support
- Compact and fanless design

Product Overview

Powered by 7/6th Intel® Core i3/i5 SoC processor, NDiS B328-SI/KI series digital signage player can handle very rich multimedia contents. With Intel® processor low power consumption feature, In addition, the Intel® Core™ processors deliver significant improvements up to two and a half times the performance in graphics offering stunning visuals for compelling 4K content creation and media playback. NDiS B328-SI/KI series support display output by HDMI ports and integration flexibility with various peripherals such as touchscreen displays, scanners, readers, and many more. NDiS B328-SI/KI series the fanless durability further extends to semi-outdoor usage like QSR drive through kiosks, box office displays, information stands, bus stops or digital transit information signs. It is also ideal as a digital signage player delivering enhanced performance and new immersive experiences for advertising, hospitality and brand promotion applications.

Specifications

CPU Support

- Intel® Core™ i3-6100U SoC processor Dual Core 2.3GHz (NDiS B328-SI3)
- Intel® Core™ i3-7100U SoC processor Dual Core 2.4GHz (NDiS B328-KI3)
- Intel® Core™ i5-6200U SoC processor Dual Core 2.3GHz up to 2.8GHz (NDiS B328-SI5)
- Intel® Core™ i5-7300U SoC processor Dual Core 2.6GHz up to 3.5GHz (NDiS B328-KI5)

Graphic

- Intel® integrated HD 520 graphics (NDiS B328-SI3/SI5)
- Intel® integrated HD 620 graphics (NDiS B328-KI3/KI5)

Main Memory

- 2 x 204-pin SO-DIMM sockets, supports DDR4 2133MHz non- ECC, un-buffered memory up to 32G (single socket max. 16GB)

I/O Interface-Front

- 4 x USB 3.0
- 1 x DB9 for RS232 (cable)
- 1 x Storage active LED
- 1 x Power switch with LED

I/O Interface-Rear

- 1 x DC-in jack, 2.5mm (19V DC)
- 2 x HDMI 1.4 (4K resolution)
- 2 x Antenna hole
- 2 x USB 3.0
- 1 x RJ45 with LEDs for Gigabit LAN
- 1 x Line-out
- 1 x Mic-in

Storage Device

- 1 x 2.5" SATA3 HDD/SSD
- 1 x M.2 2242 SSD, SATA/PCIe by 2 signal (default SATA signal)

Expansion

- 1 x mini-PCIe full size connector, USB+PCIe signal, support Wi-Fi
- 1 x M.2 B key 2242 slot, SATA support

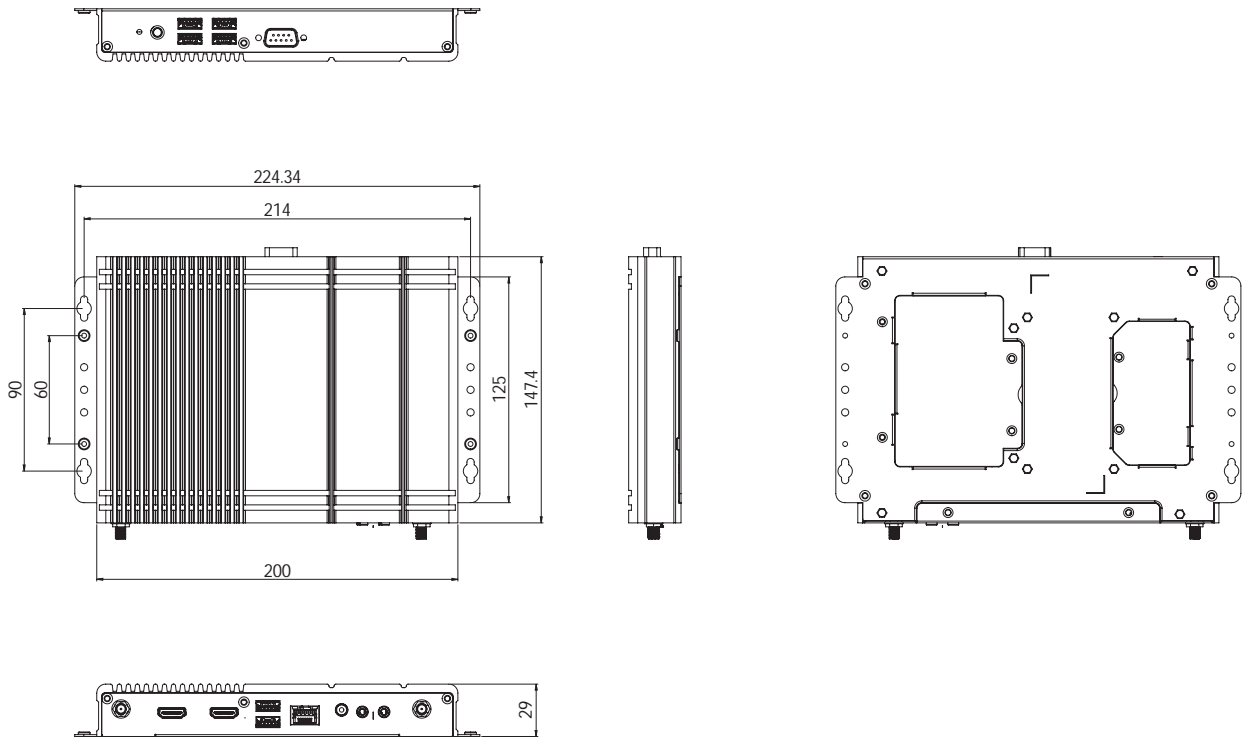
Dimensions

- 224.34mm (W) x 147.4mm (D) x 29mm (H)

Power Supply

- DC power input +19V

Dimension Drawing



Environment

- Operating temperature: @ 100% CPU loading and component thermal profile from -20°C~50°C
- Storage temperature: -20°C~80°C
- Humidity: 95% (non-condensing)

Certification

- CE approval
- FCC Class A

Operating System

- Win10 64-bit

Ordering Information

- ♦ **Art.-No: 155524 NDIS B328-SI3**
Intel® Core™ i3-6100U SoC processor, fanless system
- ♦ **Art.-No: 155540 NDIS B328-KI3**
Intel® Core™ i3-7100U SoC processor, fanless system
- ♦ **Art.-No: 155544 NDIS B328-SI5**
Intel® Core™ i5-6200U SoC processor, fanless system
- ♦ **Art.-No: 155921 NDIS B328-KI5**
Intel® Core™ i5-7300U SoC processor, fanless system